

# **GALIT**

**EXPERTS IN DENTISTRY**

**MEDICAL FURNITURE**

## Why do doctors choose GALIT medical furniture?

### QUALITY AND MODERN DESIGN

*GALIT furniture is made of sheet metal with a thickness of 1 mm. The company's production is equipped with high-precision modern equipment that ensures the quality of each module. Stylish design creates a unique professional image of any medical institution. GALIT furniture is convenience and elegance combined together.*

### STRENGTH AND DURABILITY

*Metal as a raw material ensures the stability of structures and their high load capacity. Metal furniture made of sheet metal is characterized by high resistance to wear and damage. Furniture withstands intensive use for a long time, without losing its functionality.*

### SECURITY OF CLIENTS AND STAFF

*Metal furniture is suitable for the use of aggressive disinfection and detergents. Surfaces are easily cleaned of bacteria, viruses and other contaminants, which allows you to maintain a high level of hygiene in the premises.*

### ERGONOMICS AND FUNCTIONALITY

*Every day, the team manufactures furniture and works on its improvement to ensure the convenience and efficiency of the work of clinic staff of any medical profile.*

### ECOLOGICAL COMPATIBILITY

*At the end of the period of operation, metal furniture can be recycled, which reduces the negative impact on the environment.*

Two lines of GALIT medical furniture - two worlds of design. Choose facades that suit your taste.

# SIRIUS



classic, minimalist design that will perfectly complement your clinic

# MERCURY



modern and stylish design, with special attention to details and aesthetics



MERCURY I COLLECTION OF MODULES ON FRAME

SIRIUS I COLLECTION OF MODULES ON BASE



SIRIUS I COLLECTION OF MODULES ON FEET

MERCURY I COLLECTION OF HANGING MODULES



---

**An amazing selection of collections in two lines of GALIT furniture allows you to create your unique project:**

## COLLECTION OF MODULES ON FEET

*The design guarantees reliable support and allows you to easily clean the floor under the modules, which helps to maintain the highest level of hygiene.*

## COLLECTION OF MODULES BASE

*Stylish modules for any interior. An ideal choice for those looking for durability and refined design.*

## COLLECTION OF MODULES ON FRAME

*Combination of elegance and strength. The frame not only ensures stability of the entire structure, but also attracts attention with its uniqueness.*

## COLLECTION OF MOBILE MODULES

*Mobile furniture is a real miracle of functionality. Easily move each module to a position that is convenient for you.*

## COLLECTION OF HANGING MODULES

*A symbol of style and modernity. The floor remains free, which adds space to your office.*

**A palette of 29 colors - every idea of yours becomes a reality.**





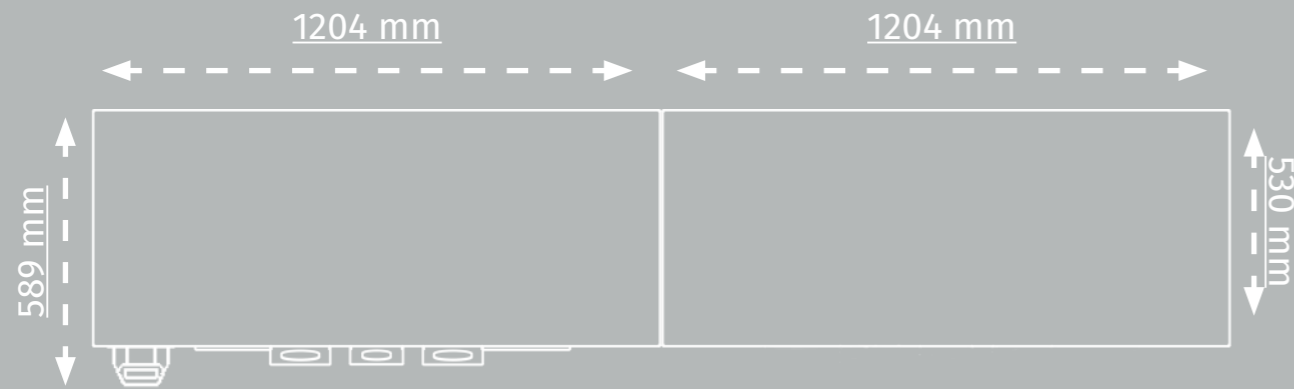
MERCURY | COLLECTION OF MODULES ON BASE

A wide modular range in each collection

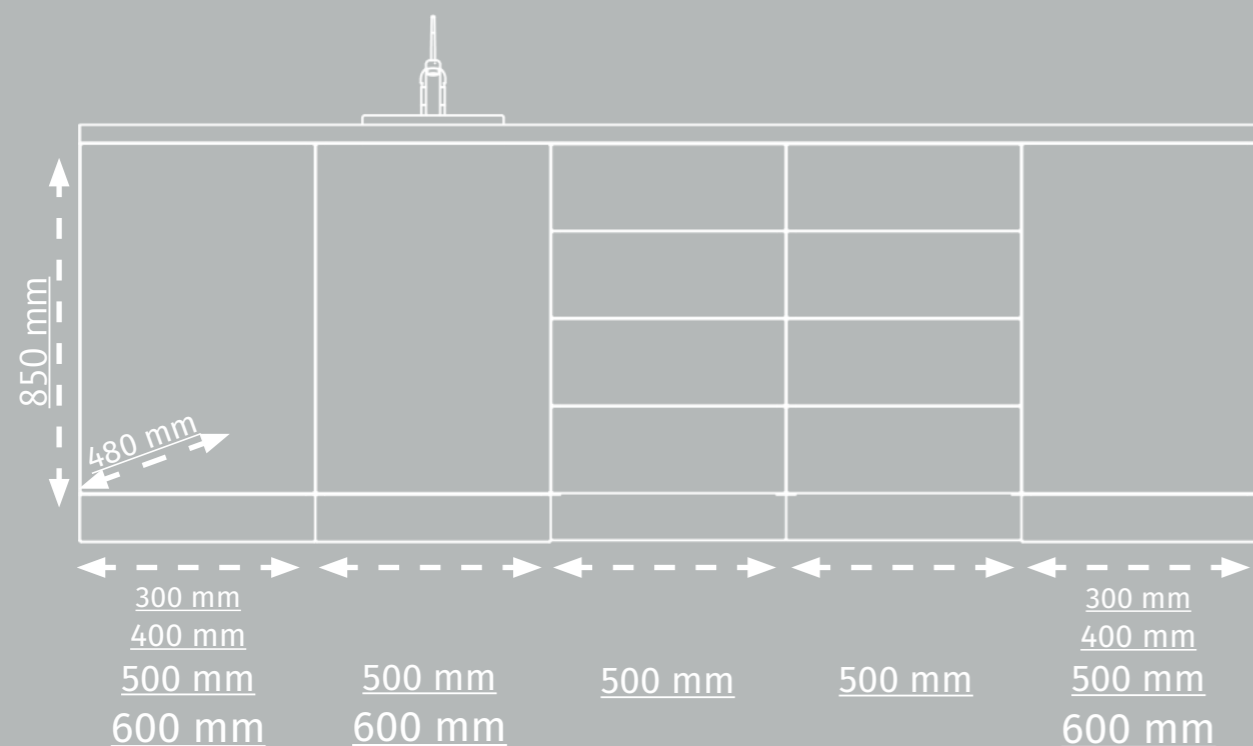
# Combine and create your style - forget about limitations!

GALIT team understands that your needs are unique, that is why medical furniture is available in various types (classic and mobile), configurations (under the sink, with doors and shelves, with drawers) and sizes.

You can choose and combine different modules to create your comfortable workspace that will perfectly suit your expectations and needs.



MERCURY



# MERCURY

Standard dimensions of modules of Mercury\* line:

Height X Width X Depth: 850 X 500 X 480 mm.

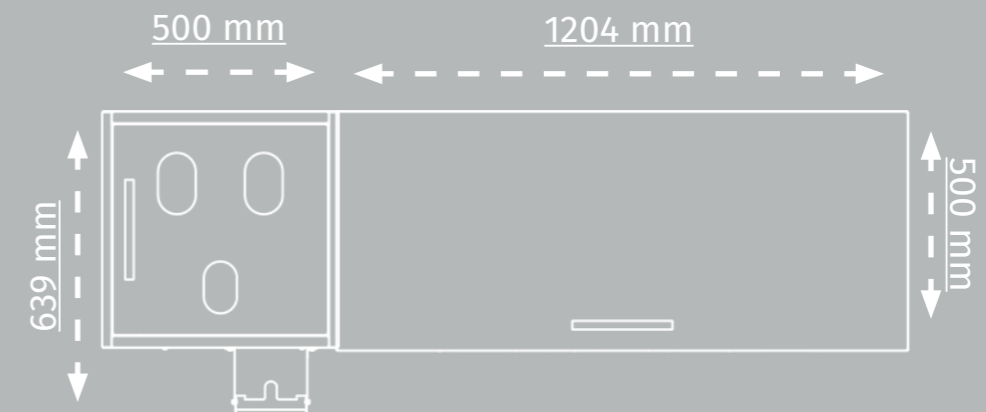
For modules with doors, widths of 300, 400 and 600 mm are available, for module to under sink – 600 mm.

# SIRIUS

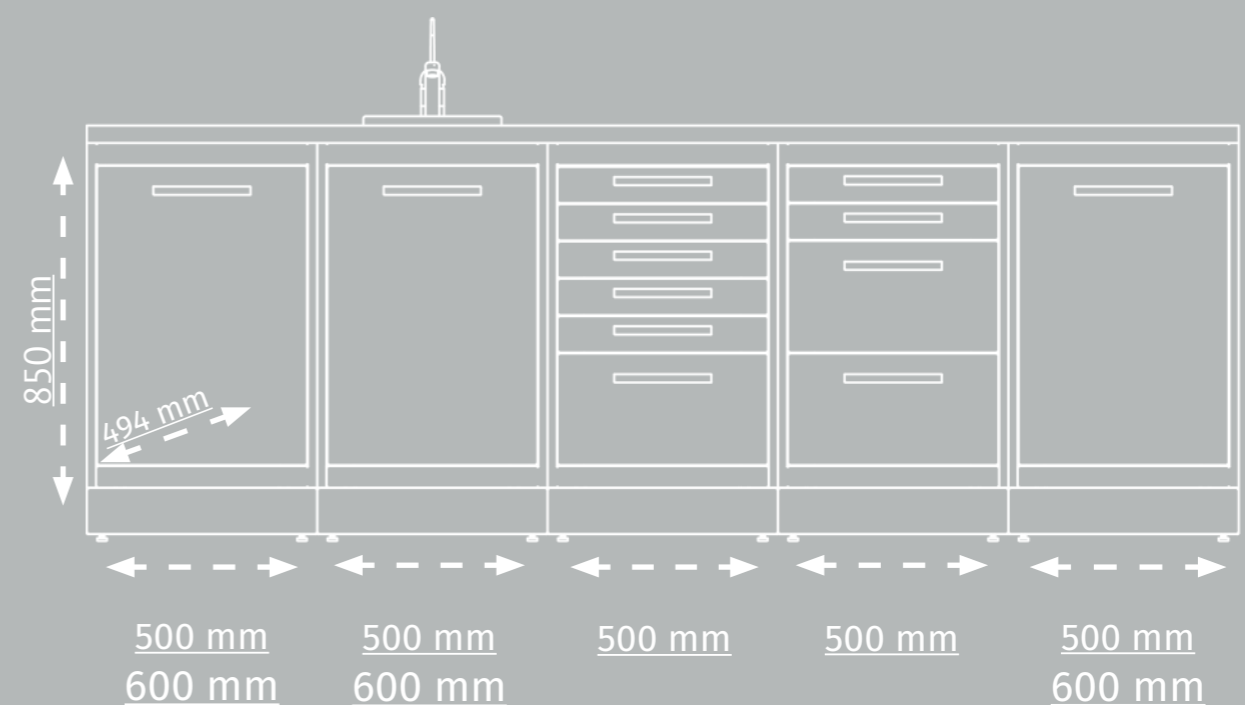
Standard dimensions of modules of Sirius line:

Height X Width X Depth: 850 X 500 X 494 mm.

For module to under sink, a width of 600 mm is available.



SIRIUS



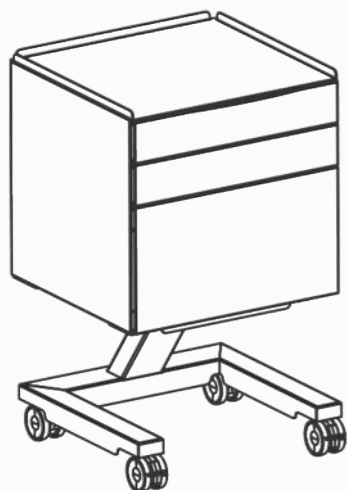
\*besides the collection of hanging modules

FREE YOUR SMILE

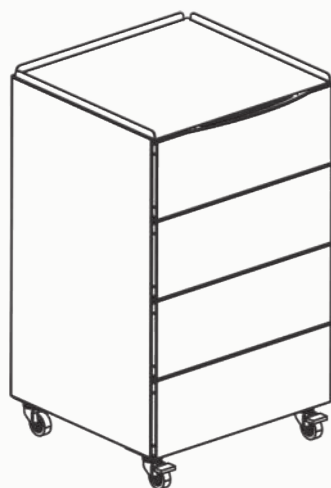
SIRIUS I COLLECTION OF MODULES ON FEET, MOBILE MODULE ON OBLIQUE FOOT

## Assortment of mobile modules

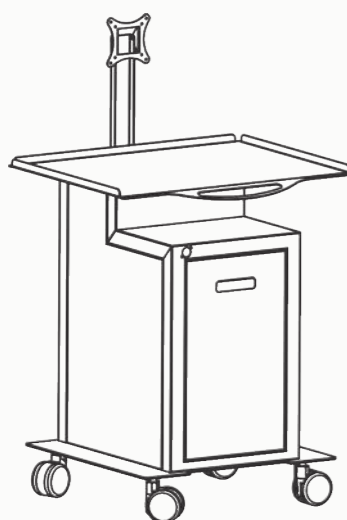
# Open new horizons in organizing your workspace



Article: MePush-MMS-1l2s



Article: MePush-MM-4m



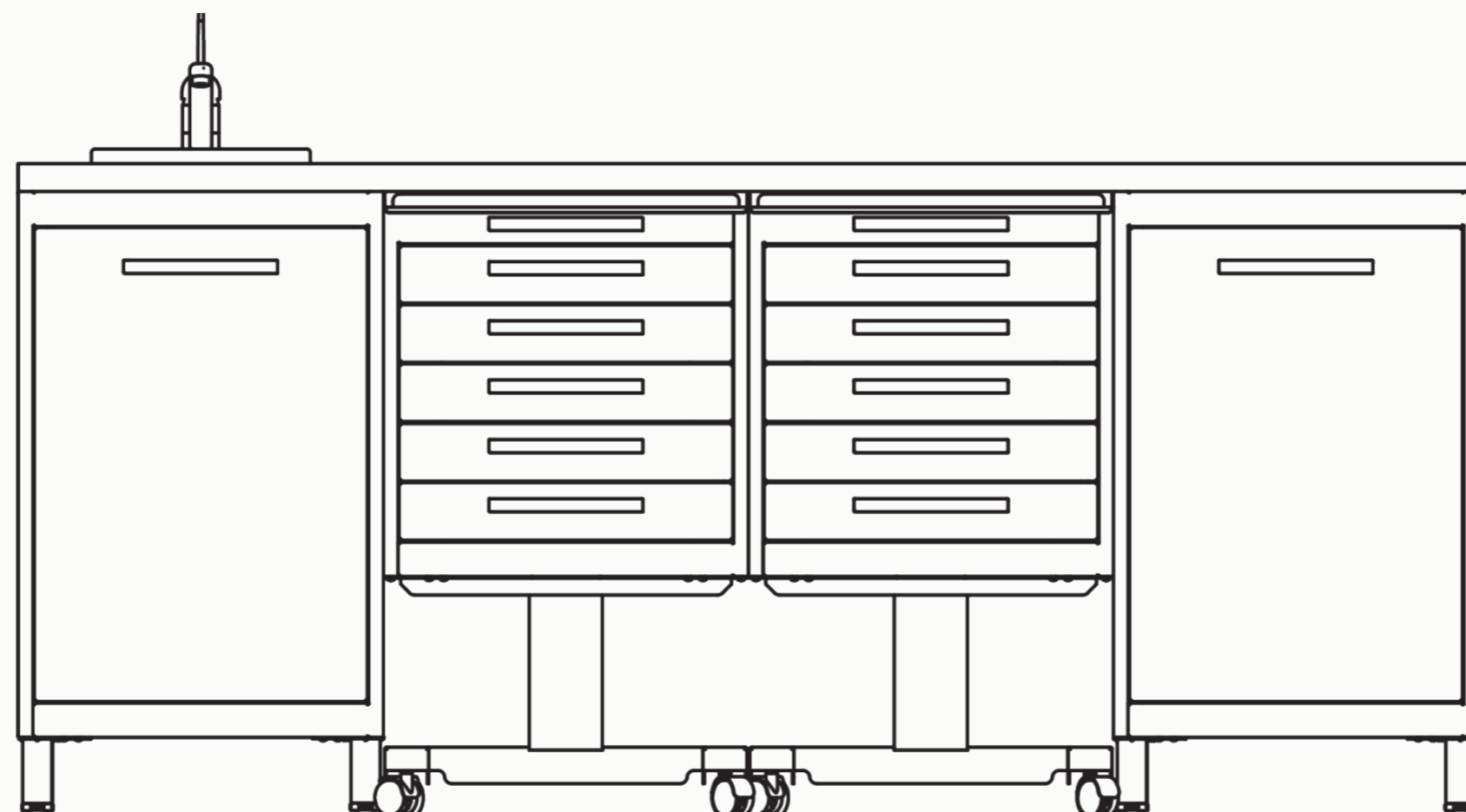
Trolley for 3D scanner .  
Article: Si-MM

Mobile modules of medical furniture allow you to maximize optimization and create a comfortable and productive environment for your medical practice.

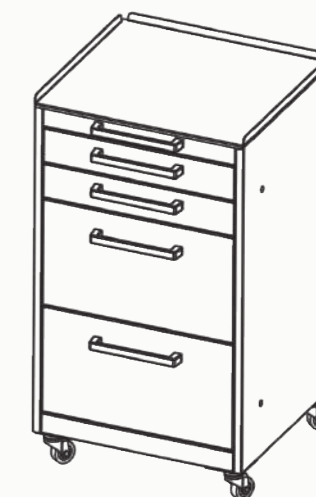
Thanks to the antistatic wheels, you will be able to easily, without excessive effort, move each module along the cabinet or between workstations. And braking devices allow you to reliably fix the module in a convenient position.

The collection of mobile modules is being supplemented with:

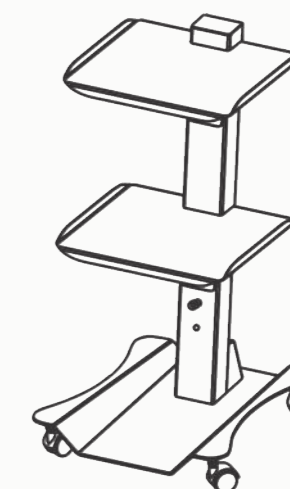
- mobile trolley for 3D scanner: wheel frame with antistatic wheels, built-in PC unit, removable monitor stand;
- mobile electrified trolley with possibility of connecting 220V power supply.



Article: Si-MMS-2m1s



Article: Si-MM-2l2s



Mobile electrified trolley.  
Article: MM-st1

**Novelty**



# MERCURY

## Your medical practice is framed in an exquisite design

Standard dimensions of Mercury line hanging modules:  
Height X Width X Depth: 560 X 500 X 500 mm.

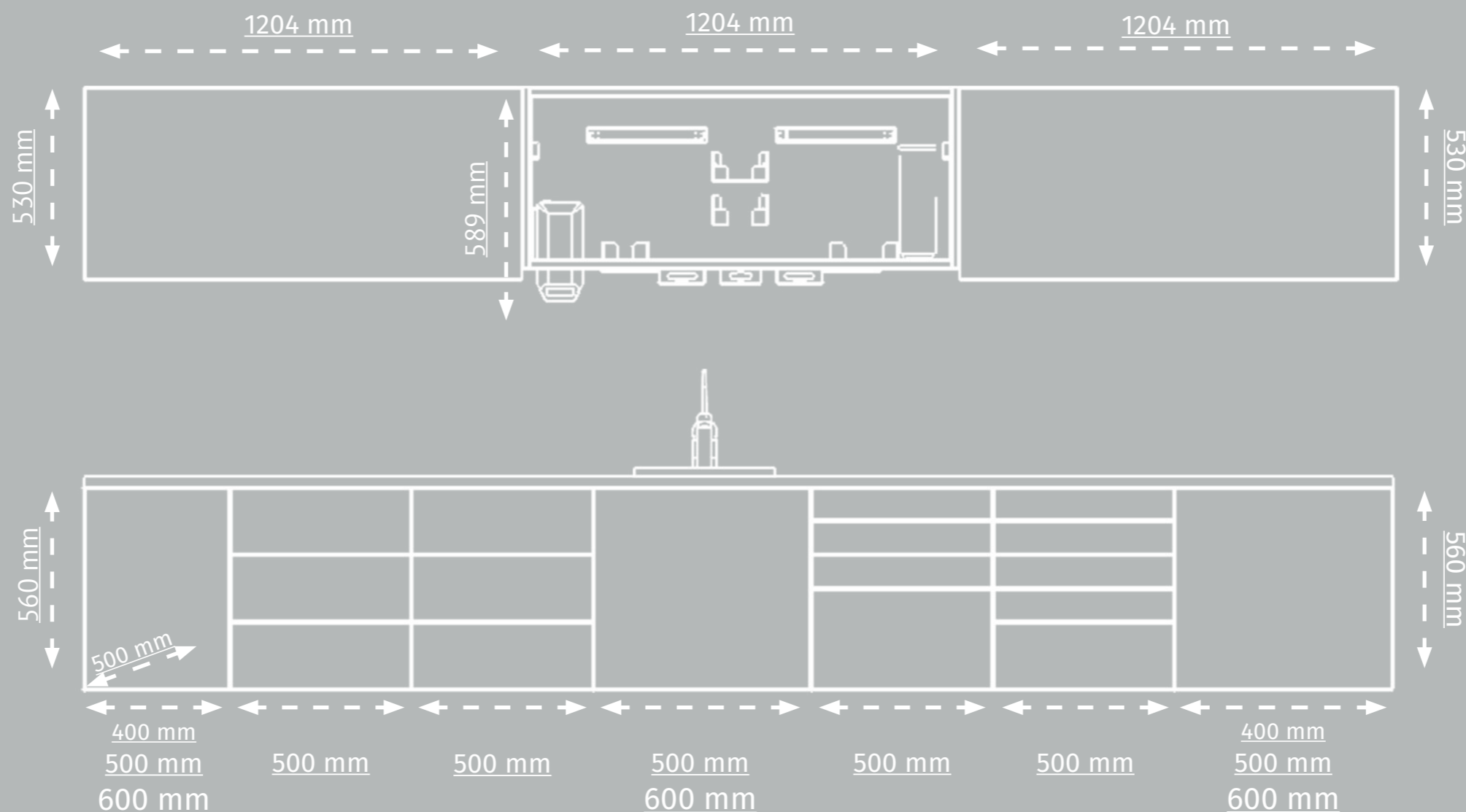
Available widths for modules with doors 400 and 600 mm,  
for the sink module - 600 mm.

Ensure efficiency, hygiene and organization of your work space thanks to the new collection of hanging medical furniture modules GALIT.

GALIT team understands that each medical facility has its own special needs, so another collection has appeared in the range, designed with ergonomics and optimal use of space taken into account.

Hanging furniture looks elegant because it has small dimensions. In addition, they add more space to the room, opening up useful floor space. They can be used to create stylish interiors even in small spaces, where every meter is important.

GALIT experts carefully studied requirements of medical standards and hygiene norms, developing furniture that is easy to clean and disinfect. In addition, the new collection of hanging modules provides free movement of air flows, which creates a comfortable environment for daily practice.



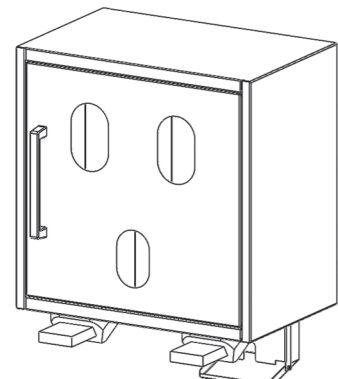


SIRIUS I COLLECTION OF MODULES ON FEET, MOBILE MODULE ON OBLIQUE FOOT | SMALL DISPENSER

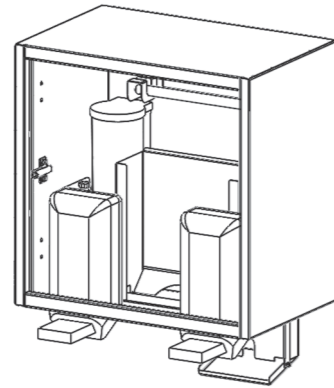


Upper hanging modules

**Ideal organization of your workspace**



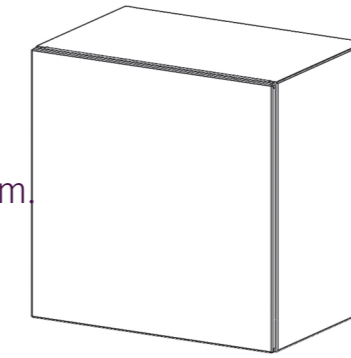
Articke: Si-MWD-R/L



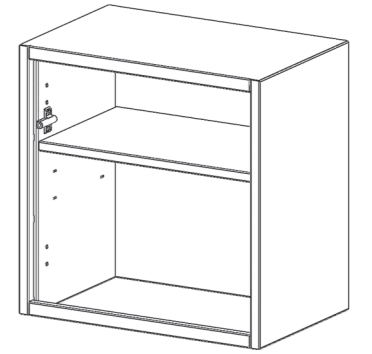
Dispenser for disinfectant gel or soap

There are several options for facades:

- with or without handles, «push to open» mechanism.
- metal or glass.

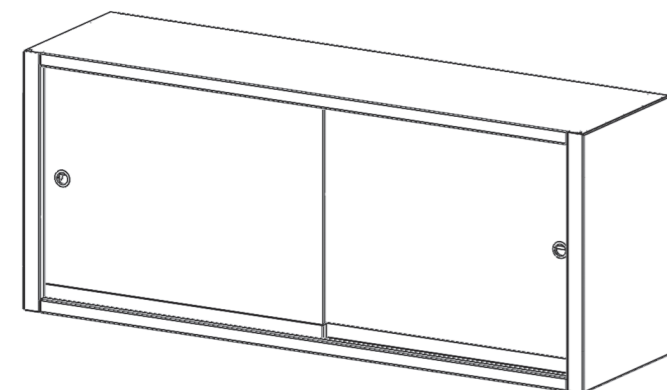
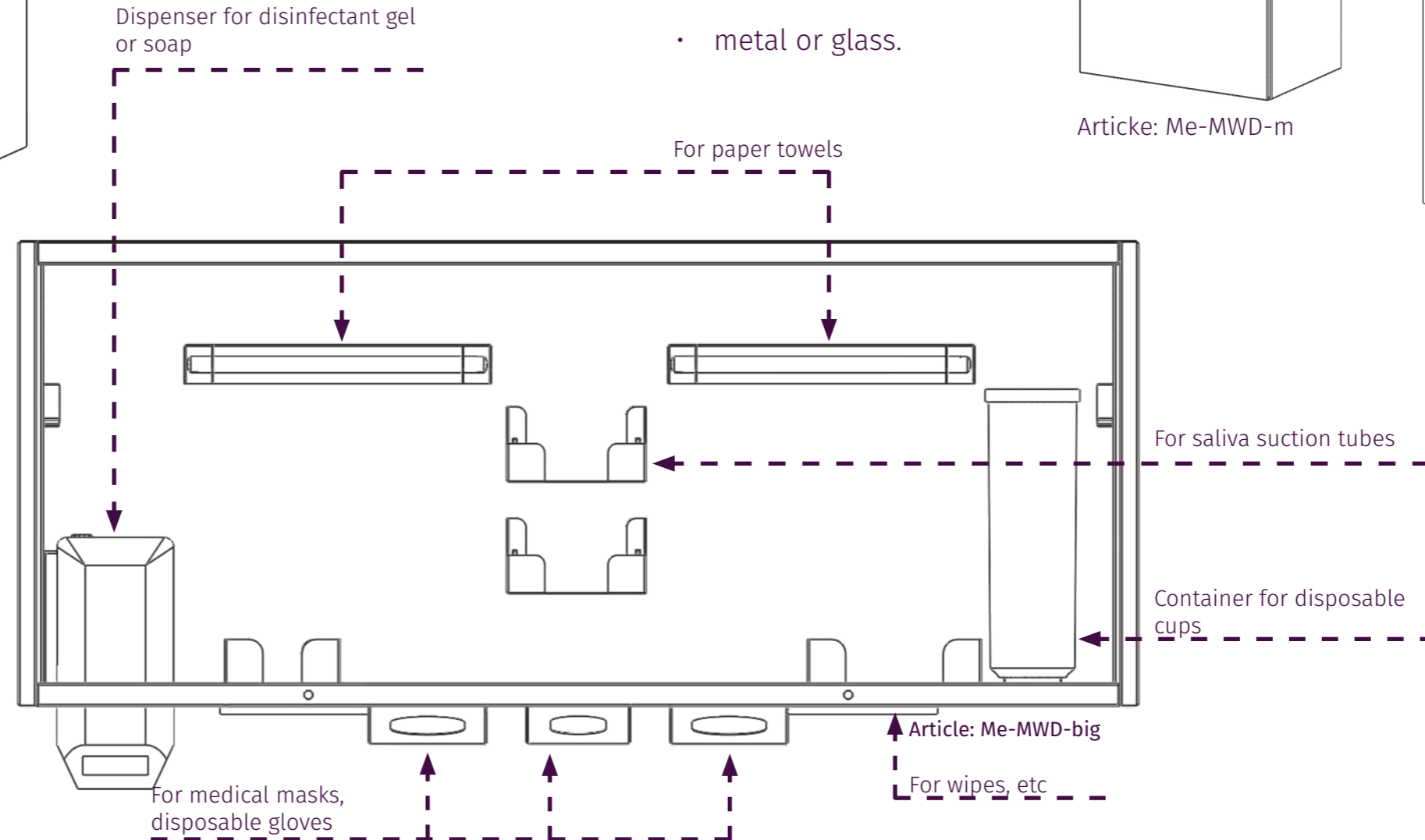


Articke: Me-MWD-m

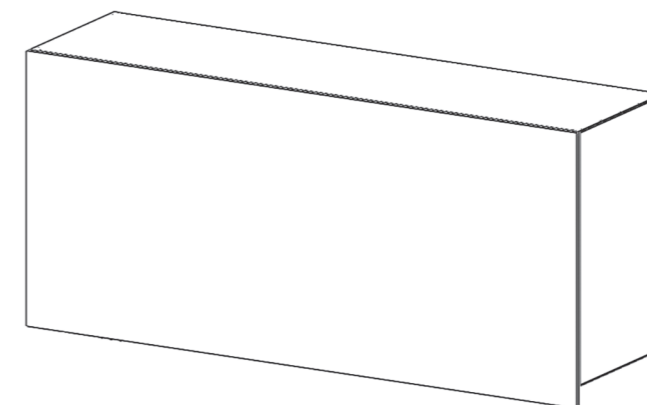
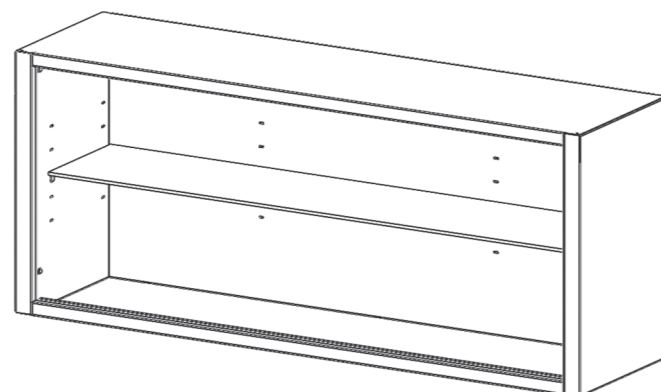


The upper hanging modules and dispensers provide convenient and quick access to consumables, which is important for the prompt provision of medical services.

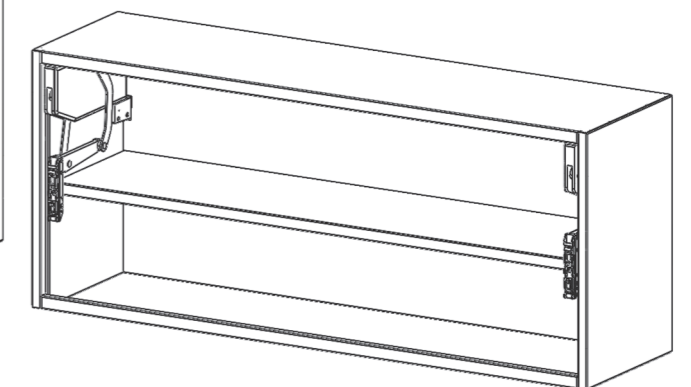
The dispensers contain sections for placing: medical masks, gloves, wipes, paper towels, saliva suction tubes, disposable cups, as well as dispensers for soap and disinfectant gel.



Articke: Si-MWD



Articke: Me -MWD-bm



A modern dental reception area featuring two sleek, dark-colored desks with white countertops. The desks are positioned on either side of a central wall. The wall is light gray and features a large, minimalist clock with black hands and hour markers. Above the desks, a horizontal band of light contains the text "EXPERTS IN DENTISTRY". Two long, rectangular pendant lights hang from the ceiling, casting a soft glow. The floor is made of large, dark gray tiles. The overall aesthetic is clean, professional, and contemporary.

EXPERTS IN DENTISTRY

MERCURY | COLLECTION OF MODULES ON FRAME |

*Traditional or modern?  
Furniture with handles or a «push to open» mechanism?  
Choose your unique design!*

## Types of drawers for medical furniture

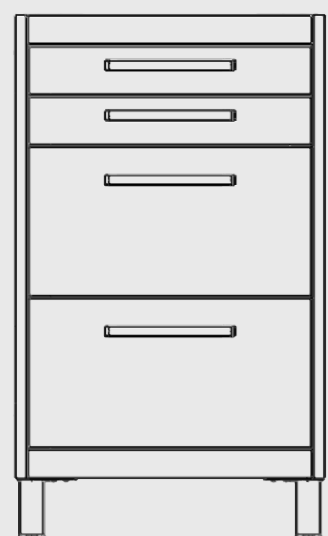
# Skill of every part

GALIT furniture is distinguished not only by its high quality, but also by its unique ability to meet the needs and requirements of every doctor and medical institution.

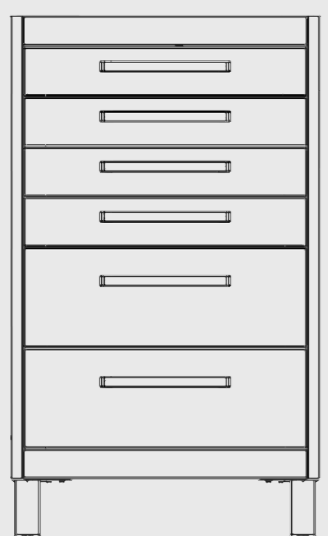
The use of three types of drawers (s - small, m - medium, l - large) in various combinations allows you to create an ideal solution for organizing the work process.



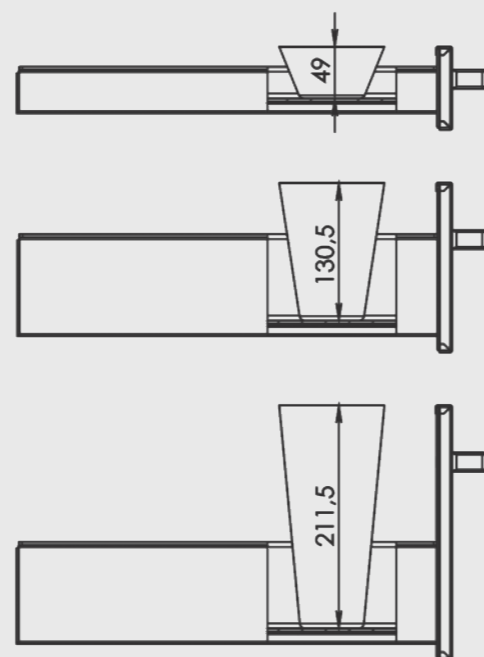
Article: Si-MF-4m



Article: Si-MF-2l2s



Article: Si-MF-2m4s



## SIRIUS

Maximum height of capacity of drawers:

s = 49 mm  
m = 130,5 mm  
l = 211,5 mm

### Small drawers (s):

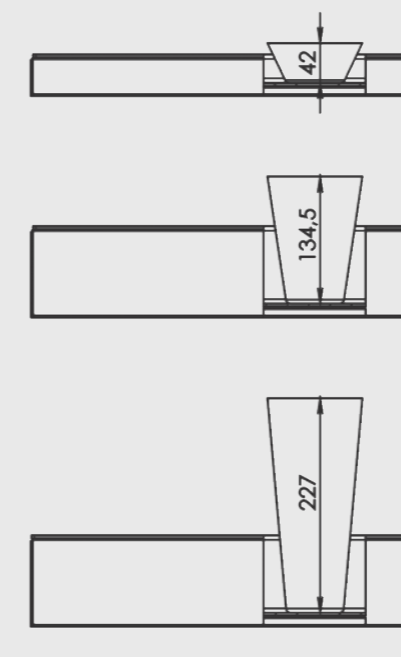
ideal for storing medical instruments, medicines and other small equipment.

### Medium drawers (m):

an excellent option for storing, for example, sterilized sets of instruments.

### Large drawers (l):

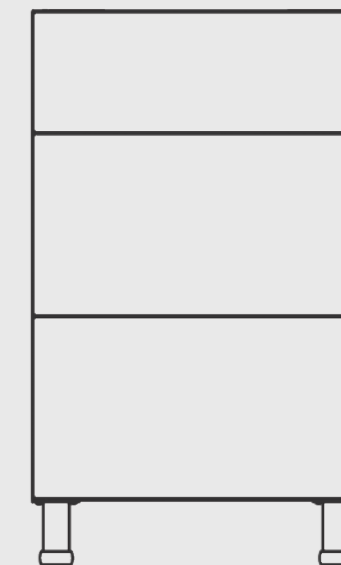
an excellent solution for placing documents, patient cards, as well as devices that are necessary in your practice.



## MERCURY

Maximum height of capacity of drawers:

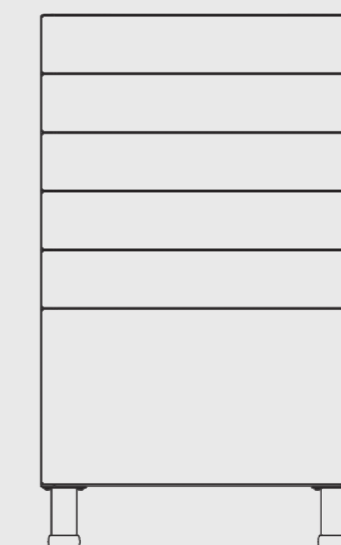
s = 42 mm  
m = 134,5 mm  
l = 227 mm



Article: MePush-MF-2l1m



Article: MePush-MF-3m2s



Article: MePush-MF-1l5s

Pay attention to the article of the product, it indicates: quantity (number) and type (letters «s», «m» or «l») of drawers.

# TRAYS FOR DRAWERS OF DIFFERENT TYPES

Organization,  
where every little  
thing has its place

**GALIT** offers trays  
with **30 mm** and **80 mm** depth.

----->  
Different number of sections in the  
tray helps to ensure efficient use of  
space in the drawers. It also provides  
an opportunity to organize materials  
and stock for convenient and  
efficient work.

----->  
Trays are made of high-quality  
materials, which guarantees a long  
service life.

The trays are also easy to clean,  
ensuring the proper level of hygiene  
in every corner of your working  
environment.



T30-1



T30-3



T30-9



T30-13



T80-1



T80-2



T80-4



T80-5

Pay attention to the article of the product, the depth of the tray and the number of sections are indicated in it.



MERCURY I COLLECTION OF MODULES ON BASE

# Comfort, aesthetics and functionality

GALIT medical furniture is suitable for clinics of any profile of medicine. Sheet metal furniture is a smart solution for offices of stomatology, surgery, laboratory, podiatry, as well as sterilization rooms, where cleanliness and hygiene are very important. They have excellent characteristics that guarantee safe and efficient work of personnel.

The latest technology is used for the production of medical furniture, that ensures accuracy and reliability of all designs. The raw material is a high-quality metal that meets European standards.

More than a hundred modules of medical furniture of various configurations are available, as well as a wide selection of colors, which helps to create an individual design for each customer.

resistance to changes in temperature and moisture

designed with a minimum number of places where germs can collect

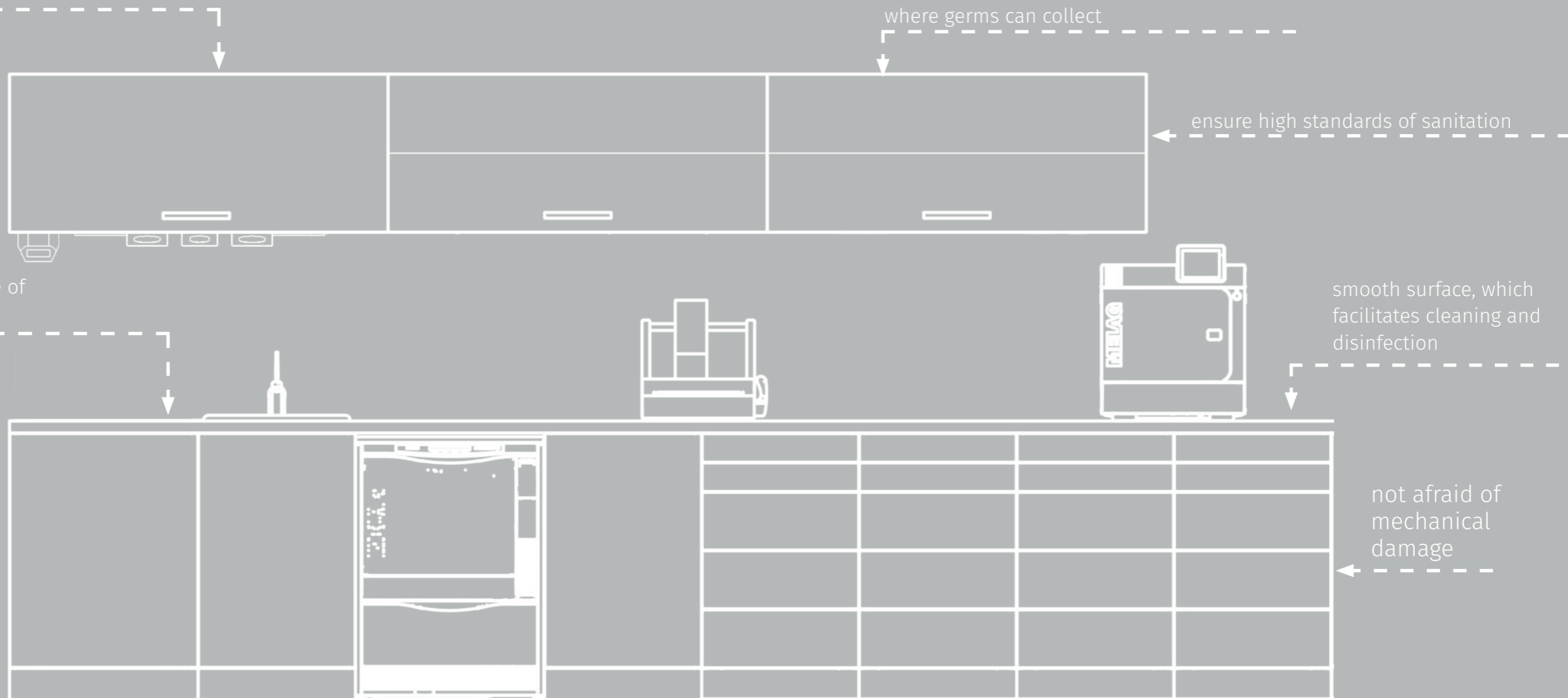
ensure high standards of sanitation

resistance to influence of aggressive detergents

smooth surface, which facilitates cleaning and disinfection

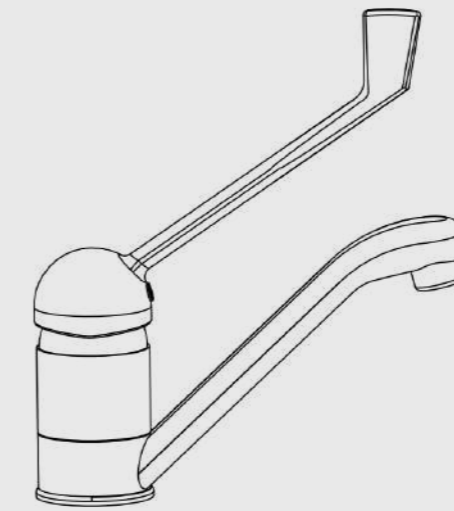
high mechanical strength

not afraid of mechanical damage

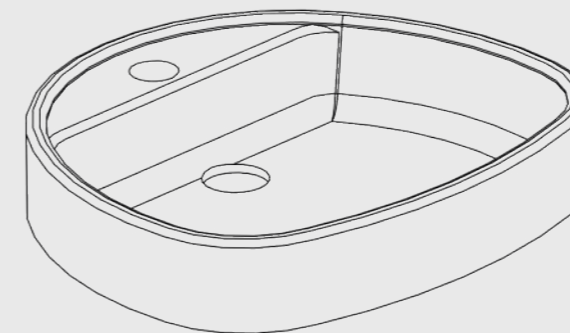


FURNITURE FOR ANY MEDICAL PROFILE

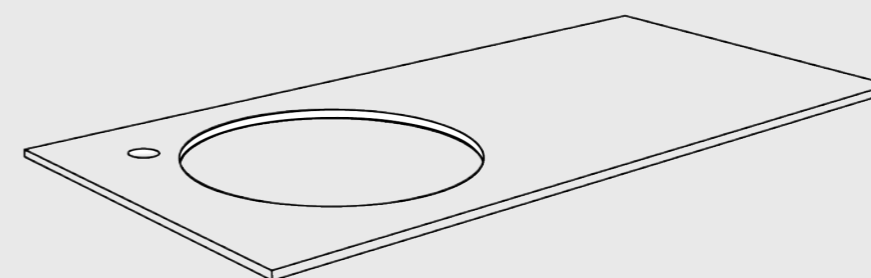
# ACCESSORIES



MIXER FOR SINK



CERAMIC SINK



TABLETOP

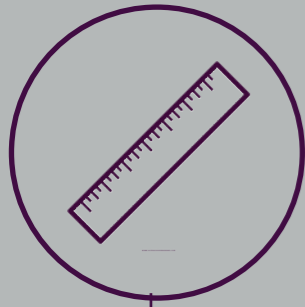
Tabletop made of laminated chipboard (depth 500 mm, 600 mm)

Tabletop FUNDERMAX.

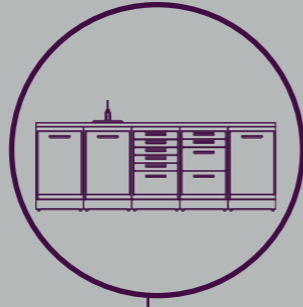
Available in different colors.

# Ordering procedure:

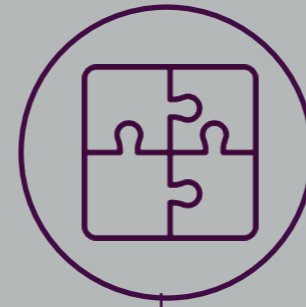
**Step 1.** Take measurements.



**Step 3.** Choose medical furniture modules that meet your needs.



**Step 5.** Choose accessories.



**Step 7.** Enjoy beauty and comfort of your new furniture.



S/M

**Kpok Step** medical furniture and the collection that suits your taste.

**Step 4.** Choose color of the furniture. Do not forget that for the upper modules we have option of creating glass facades.



**Step 6.** Get a visualization project of your wishes and agree it with our manager.



*Let your clinic become an example of a perfect combination of style, convenience and professionalism thanks to GALIT medical furniture.*

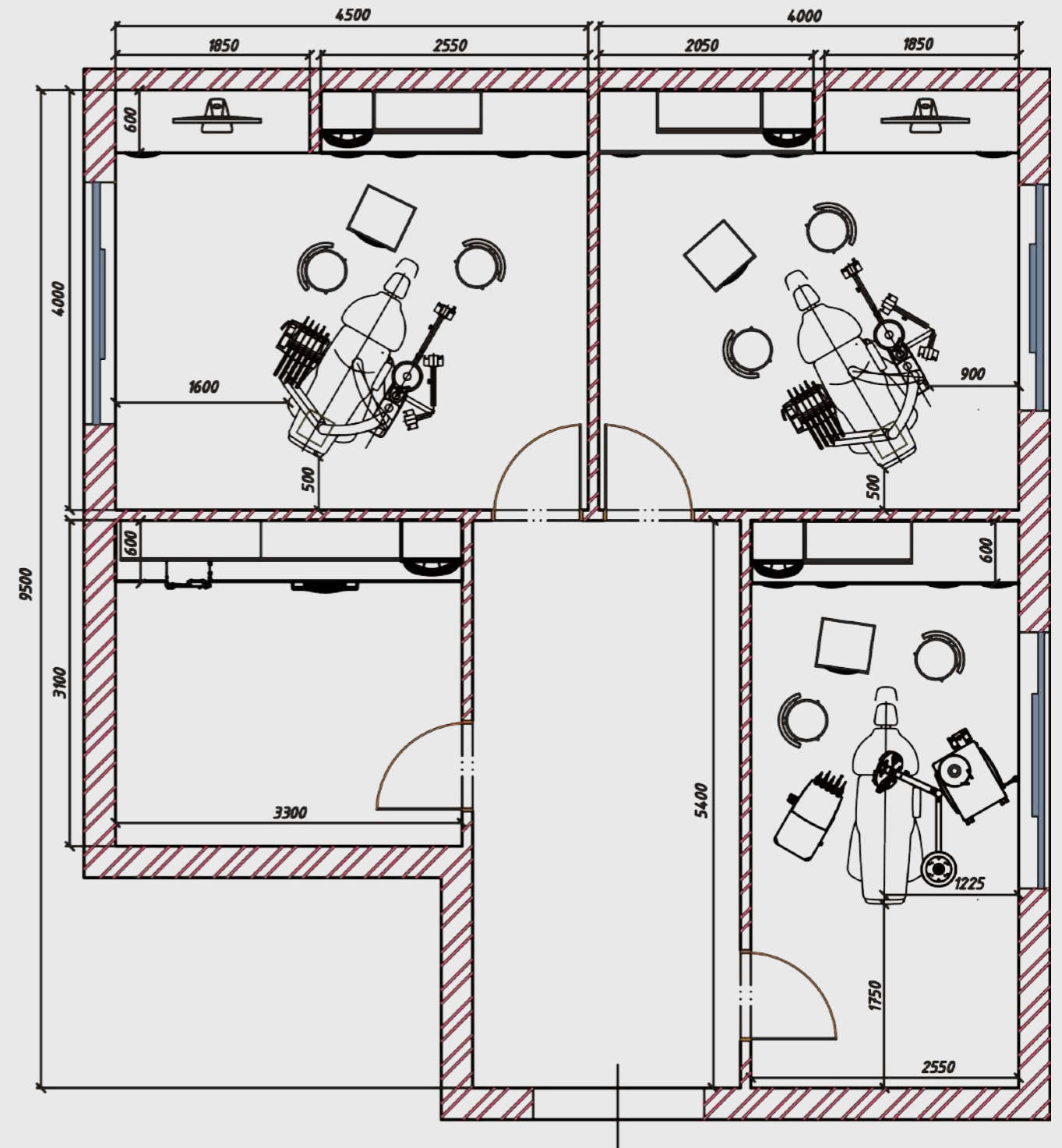
# Implementation of our project:

GALIT constructors and designers develop individual projects both for individual workstations and for large clinics.



GALIT team develops the project, taking into account all the specifics of structure of the room, as well as your needs and wishes, in order to achieve the best result.

From design to execution, we strive to exceed your expectations and provide the perfect experience using our furniture.



## GALIT medical furniture embodies the most modern technologies and quality materials

From the project to implementation, GALIT team follows every stage of work, starting from the design and ending with the installation of the finished product.

The GALIT production area is 4,900 square meters. All stages of the production cycle of medical furniture take place in our own premises, including laser cutting and metal bending, as well as painting on a modern polymer coating line, with a guarantee of the highest quality standards.

Availability of modern production facilities ensures maximum accuracy and quality of products, as well as short deadlines for order fulfillment.



[www.galit-dental.com](http://www.galit-dental.com)

# **GALIT**

GALIT

Manufacturer

PC Galit

6E, 15 Kvitnya Str., v. Baikivtsi, Ternopil  
region, 47711, UKRAINE

+380-800-502-998

office@galit.te.ua

service@galit.te.ua

European representative

Galdent CZ s.r.o. K.Vapence 448, 41503

Teplice, Czech Republic +420-775-471-378

export@galit.te.ua

galdentcz@gmail.com