

GALIT

EXPERTS IN DENTISTRY

GALLANT CART



EXPERTS IN DENTISTRY

A unique combination of high-quality European components, versatility, and ergonomic design make GALIT a recognised leader in manufacture of medical equipment in Ukraine.

EXPERTISE AS THE FIRST PRIORITY!

During a quarter of a century, the line of the GALIT brand has remained unchanged — to develop the reliable and durable dental equipment, and provide innovative, expert solutions for professional dentists all over the world. Our concern is durability of our products and solutions, since we appreciate the longevity of our relations with our clients.

BRAND VALUES:

Quality: We operate in accordance with international standards of quality of medical devices.

Confidence: Respect, diligence, and candour direct our activities.

Care: Our people and clients inspire us to operate in a committed and passionate way.

Innovations: We apply the most advanced technologies for attaining the best results.

Partnership: We cooperate with professional physicians and our partners in order to win together.

Commitment: We operate scrupulously in order to secure exceptional results while providing the best services to our clients.



GALLANT CART AUTONOME is the optimal combination of independence and flexibility

Why do physicians choose GALLANT CART AUTONOME for their practice?

● INDEPENDENCE

CART AUTONOME dental unit does not require connections to any lines. The unit has a built-in oil-free compressor and a 2 L clean water system. For operation of the unit, it suffices to connect it to the socket, which ensures the maximum flexibility and comfort in everyday practice.

● MOBILITY

During packaging procedures, the unit can be easily moved and used in any position to treat a patient, inter alia, at 11 and 12 hours. Locks on wheels ensure stability of the unit.

● REDUCED NOISE

Oil-free DK 50 compressor equipped with a stainless 3 L receiver is built in a soundproof cabinet. This configuration ensures low-noise operation, provides a comfortable environment for a physician, and reduces stress experienced by patients.

● ERGONOMICS AND FUNCTIONALITY

Portable medical unit with tubes for five dentist-selectable tools connected under it. A standard or a touchscreen panel for control of dynamic tools provides full control over the treatment process.

● HIGH HYGIENIC STANDARDS

A smart and simple design provides easy disinfection of the surface, and removable toolholders can be autoclaved, which ensures high hygienic and sterility standards.





GALLANT CART AUTONOME ASP - provides high mobility and effectiveness

Why do physicians choose CART AUTONOME ASP for their practice?

● ALL IN ONE

A soundproof cabinet contains an oil-free DK 50 compressor equipped with a 3 L stainless receiver, an aspiration unit, a 2 L clean water system, and a 5 L secretion container. For operation of the dental unit, it suffices to connect it to the powerline.

● PORTABILITY

The compact design of the dental unit allows high-quality services to be provided within a limited space. The wheel-mounted chassis makes movement easy, and fixing devices mounted on wheels ensures safety during operation.

● EVERYTHING CONSIDERED

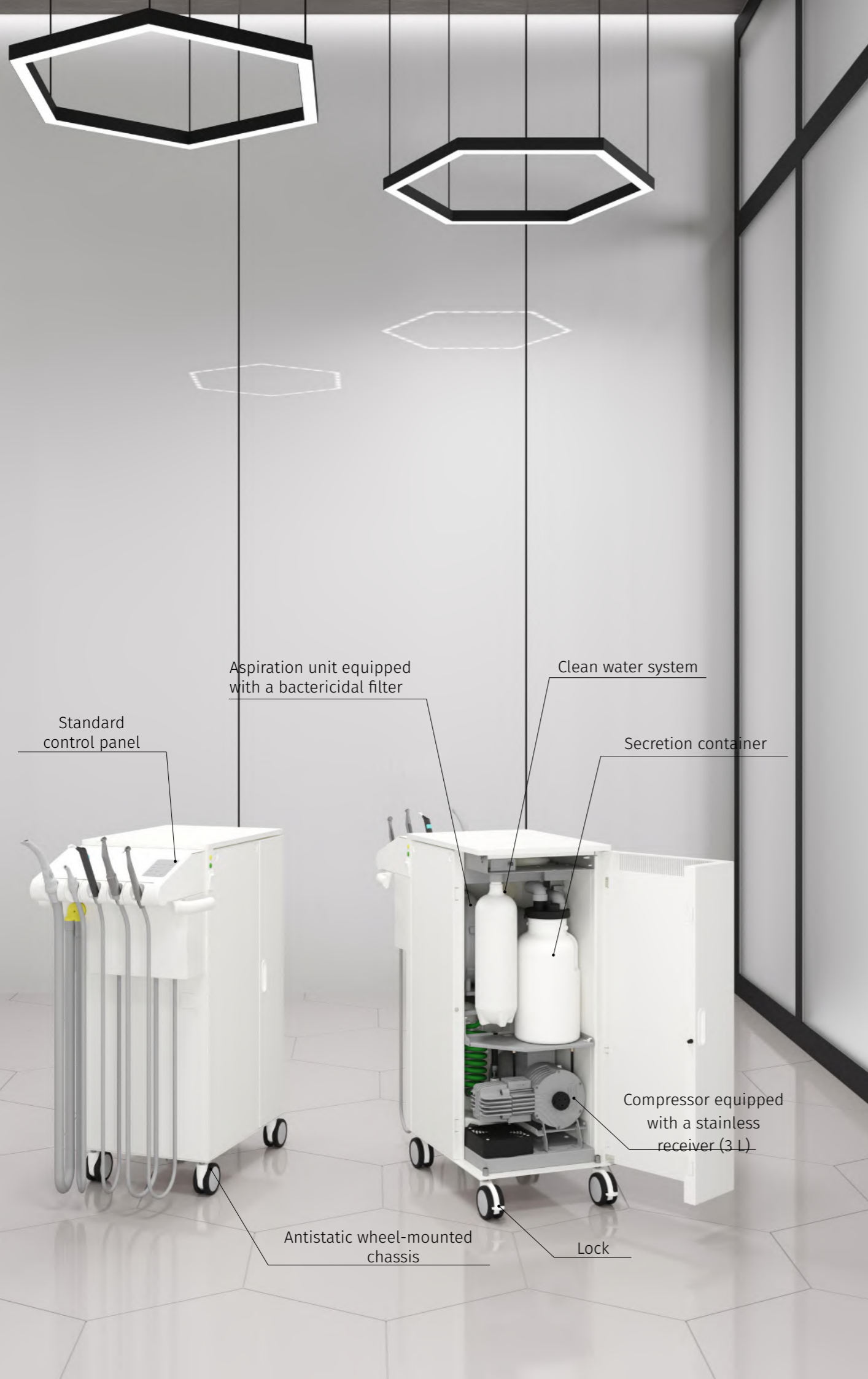
The dental unit includes three medical tools which can be selected by a physician depending on his needs, as well as two tools (saliva and dust ejectors) for an assistant.

● COMFORT

The unit is equipped with a panel for control of output of all dynamic tools, which ensures easy control of operation.

● SAFETY

The unit design allows its surface to be easily disinfected. The built-in aspiration unit is equipped with a bactericidal filter making the operation environment clean and safe.





GALLANT CART-5 is an expert solution for present-day dentists

Why do physicians choose CART-5 for their practice?

PERSONAL UNIT

CART-5 is a mobile medical unit with tubing connected under it. A dentist can independently select up to five tools, depending on specific treatment procedures. The standard or touchscreen control panel provides full control over operation of the tools.

ERGONOMICS

A height of CART-5 dental unit can be easily controlled with a hand, because it has a pneumatic system ensuring smooth movement up and down. It is controlled by simply pressing handle buttons, which makes operation optimally easy.

SMART DESIGN

A refined design and compact size of the dental unit will be a good addition to any workplace, by highlighting a professional approach and modern style of the room.

EXPANDED FEATURES

The wheel-mounted chassis allows a position of the dental unit to be easily changed during treatment of a patient. Air-conditioning and power units are built in a rack in order to spare space. The unit also has a 2 L clean water system.

COMFORT AND SAFETY

Toolholders are easily removable and can be autoclaved in order to ensure maximum hygiene. The surface of the unit can be quickly and easily disinfected.



Mobile CART-5 SURGICAL based on innovative technologies

Why do physicians choose CART-5 SURGICAL for surgical practice?

● PORTABLE MEDICAL UNIT

The wheel-mounted chassis allows a position of the unit to be easily changed during surgeries, and allows it to be used by a physician in a comfortable position to treat a patient, inter alia, at 11 and 12 hours. Locks on wheels ensure stability of the unit.

● ERGONOMICS

The integrated pneumatic system allows the physician to easily change a height of CART-5 dental unit. Smooth movement up and down is effected by simply pressing handle buttons of the medical unit. Thus, the physician can quickly adapt the equipment to his needs, which ensures comfort during operation.

● SURGICAL SOLUTIONS

The integration of a peristaltic pump actually provides a “two in one” solution — a dental unit and a physiodispenser simultaneously. The peristaltic pump supplies saline continuously during surgeries, facilitating washing and cooling during, for example, implantation or extraction of teeth.

● MORE BENEFITS

Ordering CART-5 SURGICAL, a dentist can independently select up to five tools, depending on specific treatment procedures. Air-conditioning and power units are built in a rack in order to spare space. The unit also has a 2 L clean water system.



| Craftsmanship in details

INNOVATIVE TOUCHSCREEN CONTROL PANEL



This is a new, easy, and reliable method of interaction with a dental unit. Simplified navigation, intuitive interface, and more functions make the touchscreen panel an ideal tool for modern dentistry.

Experience shows that touchscreen panels significantly increase productivity of physicians and facilitate use of tooling, by allowing the user to see all changes on a display and respond to them immediately, while controlling necessary functions.

The main page of the touchscreen panel contains the functions: Chair and hydro unit (glass filling and washing) control, timer, light on/off, and screen blocking.

- Motor-related functions: Motor speed, torque, tip ratio, reverse function, spray water quantity control. The touchscreen panel has also many additional motor functions for surgical, implantological and endodontic (Wave One Gold from Reciproc) procedures.
- Turbine-related functions: Spray water quantity control.
- Scaler-related functions: Scaler output and spray water quantity control.

MEDICAL UNIT TOOLS

The optimal weight of tools and high flexibility of tubing make operation comfortable, by reducing load on the physician's wrist, and minimising tiredness even during prolonged procedures. Having an opportunity to select tools by themselves, physicians can set the unit depending on their professional needs.

MEDICAL UNIT TOOLS:

Non-optic pneumatic outlet
Optic pneumatic outlet
MX2 LED Bien Air micromotor
Second MX2 LED Bien Air micromotor
MCX LED Bien Air micromotor
Second MCX LED Bien Air micromotor
Piezoelectric Compact piezo P2K Mectron scaler
Piezoelectric Newtron LED Acteon scaler
Mini LED Satelec Acteon photopolymer lamp
Starlight Sx5 Mectron photopolymer lamp
3-Functional DCI syringe
3-Functional MINIMATE Luzzani syringe





CONTROL PEDAL

Within its range, GALIT offers pedal having various functionality. A physician can select an option depending on needs of his dental practice.



MULTIFUNCTIONAL PEDAL:

- switching dental tools on/off;
- switching on/off the spray and dental tool blowing;
- dental tooling speed/output control.

WIRELESS MULTIFUNCTIONAL PEDAL:

Improved multifunctional pedal additionally equipped with:

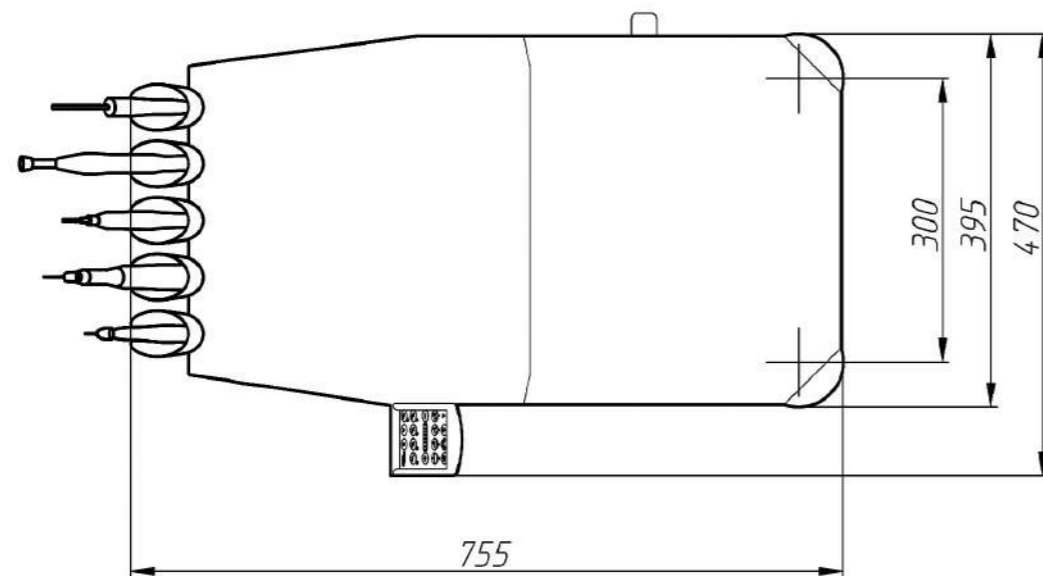
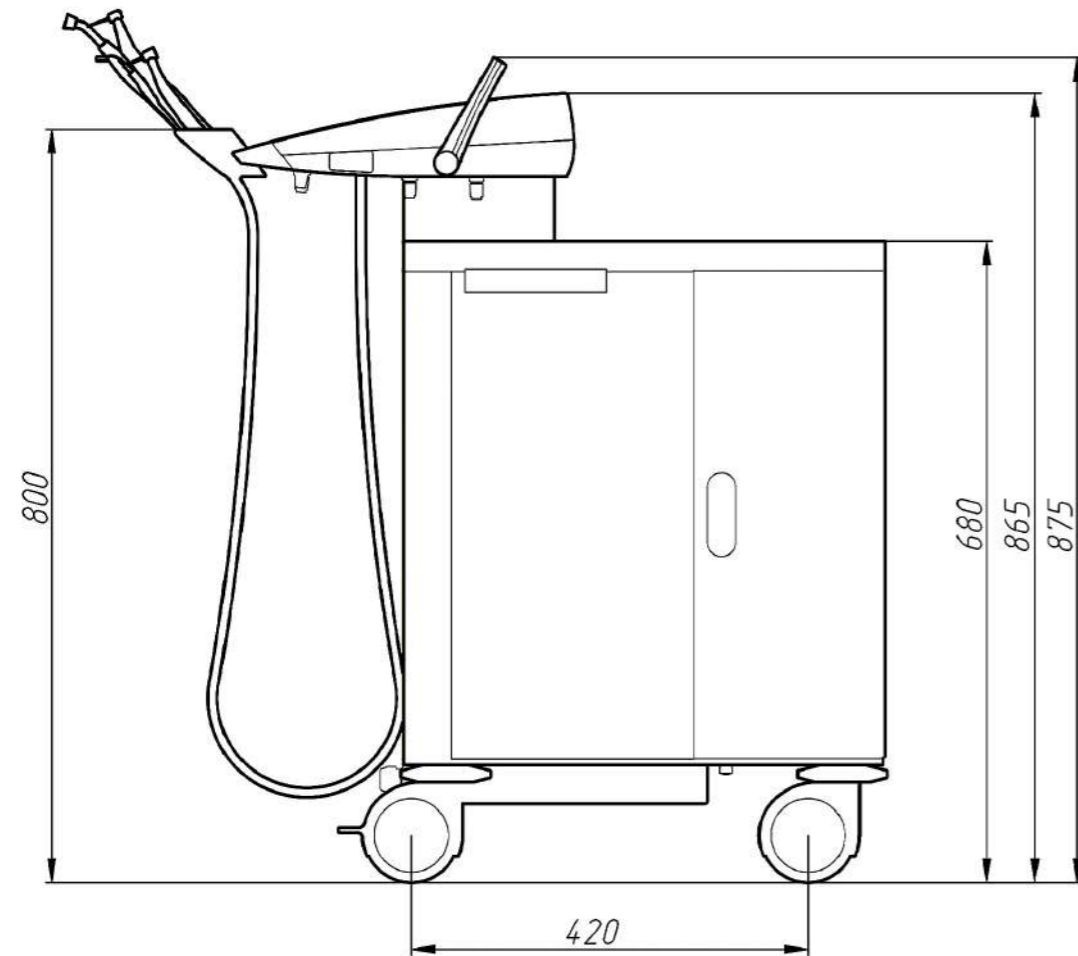
- wireless Bluetooth connection;
- high-current high-capacity battery having a service life of up to 6 months;
- audible alarm in case of low battery charge;
- unit connection cable..



PNEUMATIC PEDAL:

- switching dental tools on/off.

Gallant Cart Autonome



GALLANT CART 5 AUTONOME dental unit service kit Article number: 4.070.013



Pre-cleaning outlet filter. Plate (foam)
Quantity: 4 pcs
Replacement frequency: Once in 3 months

Article number: 9.322.070



Bottle filter
Quantity: 1 pcs
Replacement frequency: Once a year

Article number: 005.886.010



Replaceable air filter
Quantity: 1 pcs
Replacement frequency: Once a year

Article number: 005.886.010



Sealing ring
isc o-ring20x24x2,5. 88nbr 156 (green)
Quantity: 1 pcs
Replacement frequency: Once a year

Article number: 94.3771.020-024-2,5



Filter (replaceable water/air pressure control cartridge)
Quantity: 2 pcs
Replacement frequency: Once a year

Article number: C 104-F20/3



Sealing ring
Replacement frequency: Once a year

Article number: AC-543-06

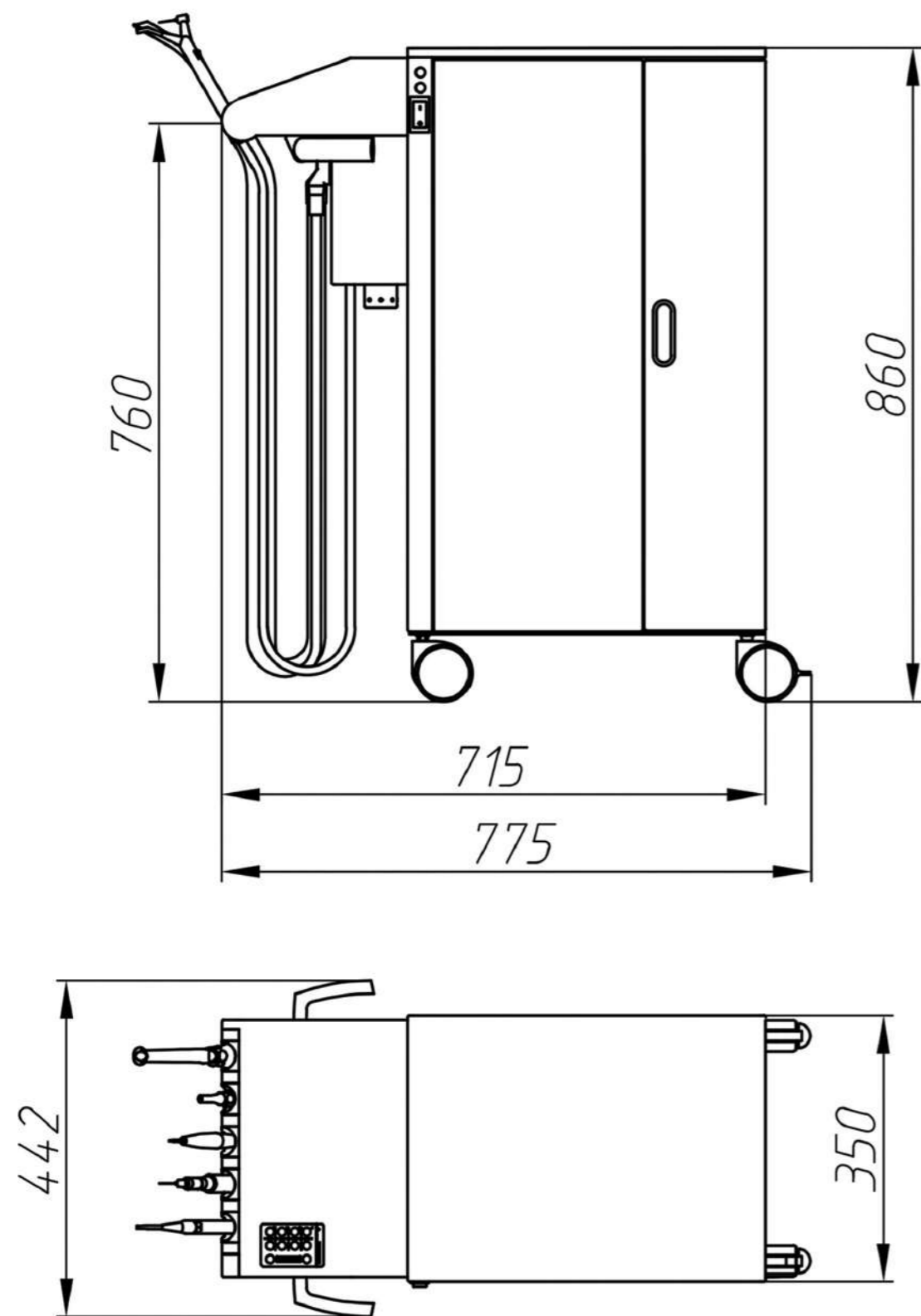


Return air filter
Foam k25 ø35x20
Quantity: 4 pcs
Replacement frequency: Once in 3 months

Article number: 008.260.000

Gallant Cart Autonome with aspiration

CART 5 AUTONOME ASP dental unit service kit Article number: 4.070.005



Sealing ring
Quantity: 1 pcs
Replacement frequency: Once a year

Article number: AC-543-06



Sealing ring
isc o-ring 20x24x2,5. 88nbr 156 (green)
Quantity: 1 pcs
Replacement frequency: Once a year

Article number: 94.3771.020-024-2,5



Sealing ring ϕ 20 mm
Quantity: 1 pcs (5 pcs set)
Replacement frequency: Once a year

Article number: 9000-402-54E



Bottle filter
Quantity: 1 pcs
Replacement frequency: Once a year

Article number: 005.886.010



Replaceable cartridge for (yellow) dust/saliva
ejector filter
Quantity: 4 pcs
Replacement frequency: Once in 3 months

Article number: 0725-041-60



Dust ejector tube
Quantity: 1 pcs
Replacement frequency: Once a year

Article number: 006.438.005-01



Saliva ejector tube
Quantity: 1 pcs
Replacement frequency: Once a year

Article number: 006.438.004-01



Rubber clamps for a can
Quantity: 2 pcs
Replacement frequency: Once a year

Article number: 210400



Pre-cleaning outlet filter HEPA H13
Quantity: 1 pcs
Replacement frequency: Once a year

Article number: 025200028-000



Filter for DK50 compressor for the two-cylinder motor
Quantity: 1 pcs
Replacement frequency: Once a year

Article number: 025200139-000



Pre-cleaning outlet filter Bulpred
Quantity: 4 pcs
Replacement frequency: Once in 3 months

Article number: 025000001-000



Dryer filter
Quantity: 1 pcs
Replacement frequency: Once a year

Article number: 025200061-000



Return air filter
Foam k25 ø35x20
Quantity: 4 pcs
Replacement frequency: Once in 3 months

Article number: 0725-041-05



Cover for the (yellow) filter with sealing rings (red rings)
Quantity: 1 pcs
Replacement frequency: Once in 3 months

Article number: 0725-041-05

CART 5 AUTONOME ASP dental unit service kit

Article number: 4.070.005 - 01

Includes a list of spare parts for kit 4.070.005, except for positions 006.438.004-01 of the saliva ejector tube, and 0725-041-05 of the yellow filter cover.

Additionally, the kit includes:

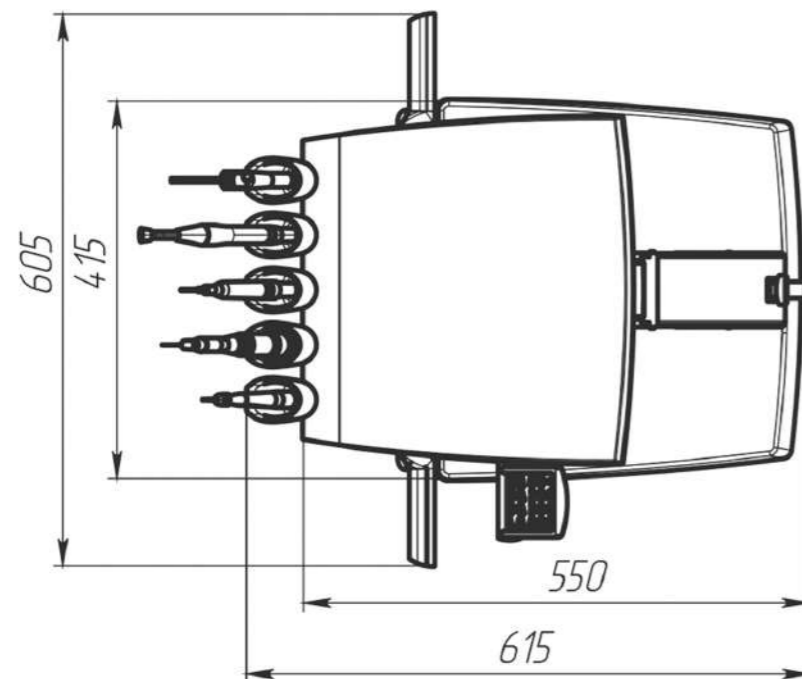
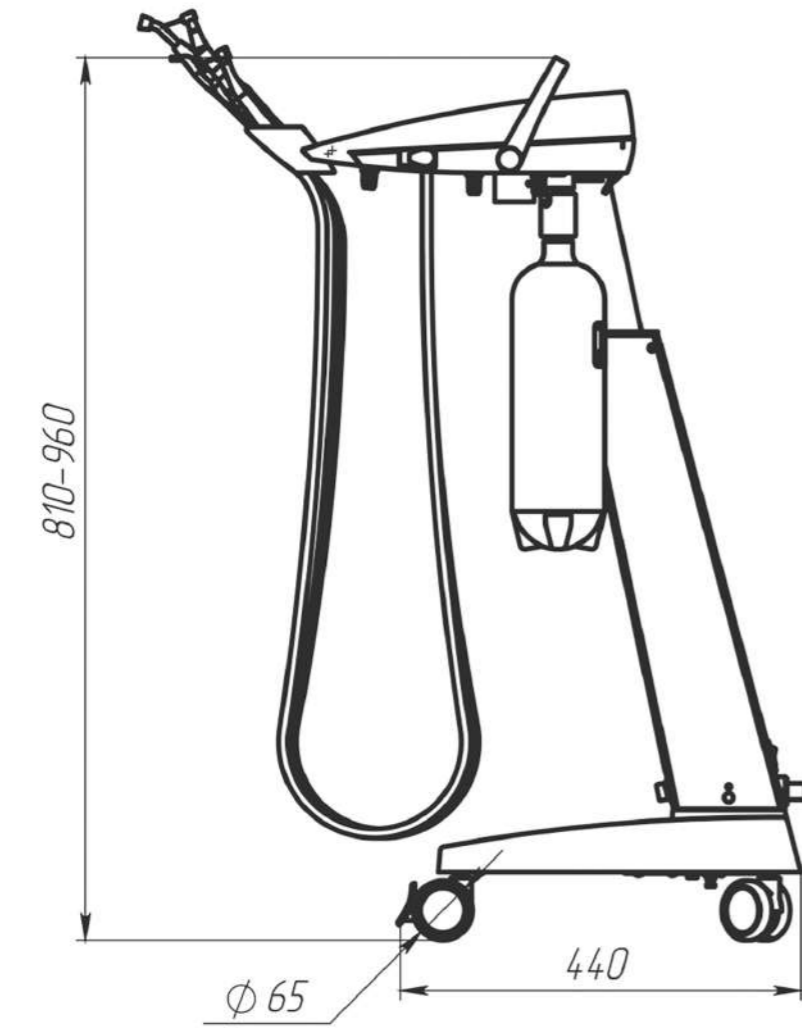


Cover for the (yellow) filter with sealing rings (red rings)
Quantity: 1 pcs
Replacement frequency: Once in 3 months

Article number: 0725-041-07

Gallant Cart-5

CART 5 DENTAL UNIT SERVICE KIT Article number: 4.070.012



Bottle filter
Quantity: 1 pcs
Replacement frequency: Once a year

Article number: 005.886.010



Sealing ring
isc o-ring 20x24x2,5. 88nbr 156 (green)
Quantity: 1 pcs
Replacement frequency: Once a year

Article number: 94.3771.020-024-2,5



Sealing ring
Quantity: 1 pcs
Replacement frequency: Once a year

Article number: AC-543-06



Return air filter
Foam k25 $\phi 35 \times 20$
Quantity: 4 pcs
Replacement frequency: Once in 3 months

Article number: 008.260.000

Impressive quality. Inspiring innovations



From a design to implementation, the GALIT team keeps an eye on every stage of operation. When non-standard installation options are ordered, the first step of performance of the order is a technical design solution, therefore a client receives a product whose quality is guaranteed by its manufacturer.

GALIT has 5,000 square meters of production spaces. Availability of up-to-date production capacities ensures maximum precision and quality of products, and performance of orders within a short period.



Having a professional design division, up-to-date equipment, the best manufacturing experts, as well as over 30 renowned dental equipment brands among their partners, GALIT provides expert solutions meeting needs and wishes of the most sophisticated clients.

Our concern is durability of our dental units, since we appreciate the longevity of our relations with our clients!

EXPERTS IN DENTISTRY!



GALIT

Manufacturer

PC Galit
6E, 15 Kvitnya Str., Baikivtsi, Ternopil region,
47711, UKRAINE

+380-800-502-998

office@galit.te.ua
service@galit.te.ua

European representative

Galdent CZ s.r.o.
K.Vapence 448, 41503 Teplice, Czech Republic

+420-775-471-378

export@galit.te.ua
galdentcz@gmail.com



Version: 20241101

The technical specification or appearance of the equipment is subject to change without prior notice