

GALIT

EXPERTS IN DENTISTRY

PRICE LIST 2025

MEDICAL FURNITURE: LINE «SIRIUS»

Language: English

CONTENTS:

CHAPTER 1. MEDICAL FURNITURE "SIRIUS": MODULES ON BASE.....	3
CHAPTER 2. MEDICAL FURNITURE "SIRIUS": MODULES ON FEET.....	7
CHAPTER 3. MEDICAL FURNITURE "SIRIUS": MOBILE MODULES.....	11
CHAPTER 4. MEDICAL FURNITURE "SIRIUS": HANGING MODULES.....	15
CHAPTER 5. MEDICAL FURNITURE "SIRIUS": WORKTOPS, SINKS, MIXERS.....	17
MEDICAL FURNITURE "SIRIUS": INSERTS FOR DRAWERS TYPE S.....	19
MEDICAL FURNITURE "SIRIUS": INSERTS FOR DRAWERS TYPE M AND L.....	20
MEDICAL FURNITURE "SIRIUS": COLOURS COLLECTION.....	21

SALES CONDITIONS

PRICES	<ol style="list-style-type: none"> 1. All prices are in EURO and EXW Havlíčkův Brod delivery conditions. 2. The prices in the Price List are specified for RAL 9016 white modules.
PAYMENT TERMS	50% advance payment while order opening and the rest 50% payment before goods shipment.
TRANSPORTATION	Carrier: customer choice. Insurance: customer charge.
SHIPPING COSTS	To be determined.
PACKING	Packing is included.
INSTALLATION	Cost of installation is not included into the cost of modules and is determined in addition.

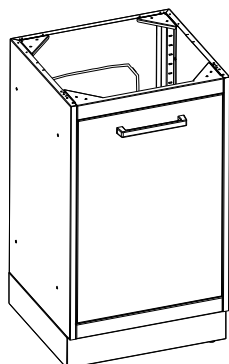
CHAPTER I

**MEDICAL FURNITURE “SIRIUS”:
MODULES ON BASE**



MEDICAL FURNITURE: MODULES ON BASE

Article: Si-MB-wbL
Si-MB-wbR



MODULE OF MEDICAL FURNITURE FOR SINK

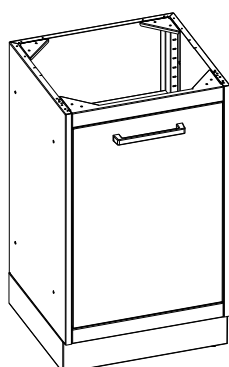
445,00 €

Module for sink

Dimensions (HxLxD): 850 x 500 x 494 mm.

Weight: 24,69 kg.

Article: Si-MB-dsL
Si-MB-dsR



MODULE OF MEDICAL FURNITURE WITH DOOR

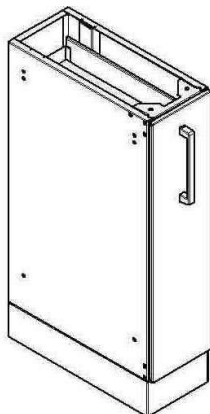
487,00 €

Module with door and 2 shelves

Dimensions (HxLxD): 850 x 500 x 494 mm.

Weight: 27,80 kg.

Article: Si-MB-20ds



MODULE OF MEDICAL FURNITURE WITH DOOR

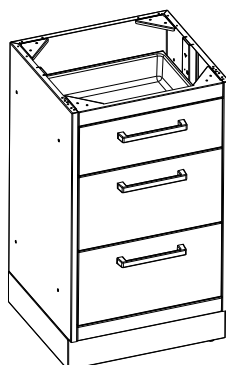
469,00 €

Module with door and 2 shelves

Dimensions (HxLxD): 850 x 200 x 509 mm.

Weight: 20,00 kg.

Article: Si-MB-2l1m



MODULE OF MEDICAL FURNITURE WITH DRAWERS

673,00 €

Module for 3 drawers (2l;1m)

Dimensions (HxLxD): 850 x 500 x 494 mm.

Weight: 34,18 kg.

The module includes inserts for drawers:

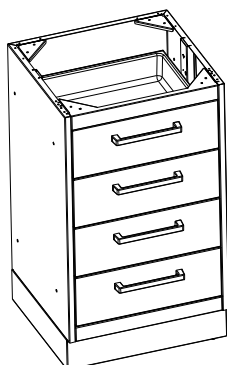
T80-1 - 1 piece;

T80-2 - 1 piece;

T80-4 - 1 piece.

MEDICAL FURNITURE: MODULES ON BASE

Article: Si-MB-4m



MODULE OF MEDICAL FURNITURE WITH DRAWERS

770,00 €

Module for 4 drawers (4m)

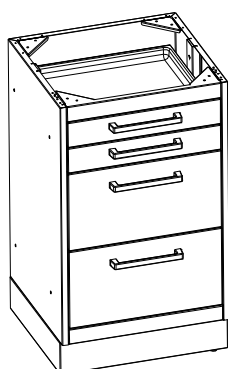
Dimensions (HxLxD): 850 x 500 x 494 mm.

Weight: 38,8 kg.

The module includes inserts for drawers:

- T80-1 - 1 piece;
- T80-2 - 1 piece;
- T80-4 - 1 piece;
- T80-5 - 1 piece.

Article: Si-MB-2l2s



MODULE OF MEDICAL FURNITURE WITH DRAWERS

756,00 €

Module for 4 drawers (2l;2s)

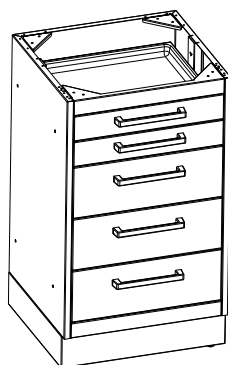
Dimensions (HxLxD): 850 x 500 x 494 mm.

Weight: 37,44 kg.

The module includes inserts for drawers:

- T30-1 - 1 piece;
- T30-3 - 1 piece;
- T80-1 - 1 piece;
- T80-2 - 1 piece.

Article: Si-MB-3m2s



MODULE OF MEDICAL FURNITURE WITH DRAWERS

850,00 €

Module for 5 drawers (3m;2s)

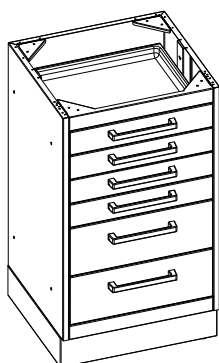
Dimensions (HxLxD): 850 x 500 x 494 mm.

Weight: 42,06 kg.

The module includes inserts for drawers:

- T30-1 - 1 piece;
- T30-3 - 1 piece;
- T80-1 - 1 piece;
- T80-2 - 1 piece;
- T80-4 - 1 piece.

Article: Si-MB-2m4s



MODULE OF MEDICAL FURNITURE WITH DRAWERS

852,00 €

Module for 6 drawers (2m;4s)

Dimensions (HxLxD): 850 x 500 x 494 mm.

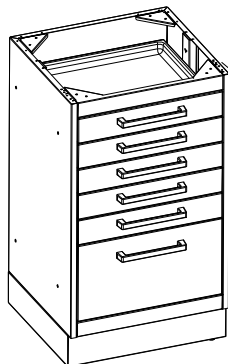
Weight: 45,32 kg.

The module includes inserts for drawers:

- T30-1 - 1 piece;
- T30-3 - 1 piece;
- T30-9 - 1 piece;
- T30-13 - 1 piece;
- T80-1 - 1 piece;
- T80-2 - 1 piece.

MEDICAL FURNITURE: MODULES ON BASE

Article: Si-MB-1I5s

**MODULE OF MEDICAL FURNITURE WITH DRAWERS****926,00 €**

Module for 6 drawers (1l;5s)

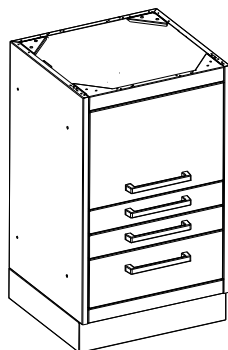
Dimensions (HxLxD): 850 x 500 x 494 mm.

Weight: 44,64 kg.

The module includes inserts for drawers:

- T30-1 - 2 pieces;
- T30-3 - 1 piece;
- T30-9 - 1 piece;
- T30-13 - 1 piece;
- T80-1 - 1 piece.

Article: Si-MB3-1I2s/1ds

**MODULE OF MEDICAL FURNITURE WITH DRAWERS AND HINGED DOOR****1109,00 €**

Module on base with 3 drawers (1l, 2s) and section with hinged door

Dimensions (HxLxD): 850 x 500 x 460 mm.

Weight: 33,45 кг.

The module includes inserts for drawers:

- T30-1 - 1 piece;
- T30-3 - 1 piece;
- T80-1 - 1 piece.

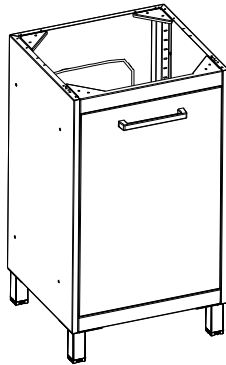
CHAPTER II

**MEDICAL FURNITURE "SIRIUS":
MODULES ON FEET**



MEDICAL FURNITURE: MODULES ON FEET

Article: Si-MF-wbL
Si-MF-wbR



MODULE OF MEDICAL FURNITURE FOR SINK

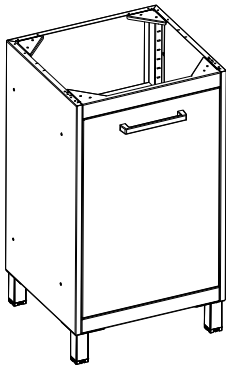
445,00 €

Module for sink

Dimensions (HxLxD): 850 x 500 x 494 mm.

Weight: 26,88 kg.

Article: Si-MF-dsR
Si-MF-dsL



MODULE OF MEDICAL FURNITURE WITH DOOR

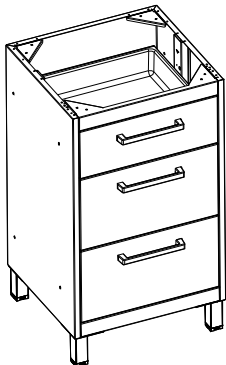
487,00 €

Module with door and 2 shelves

Dimensions (HxLxD): 850 x 500 x 494 mm.

Weight: 29,98 kg.

Article: Si-MF-2I1m



MODULE OF MEDICAL FURNITURE WITH DRAWERS

673,00 €

Module for 3 drawers (2I;1m)

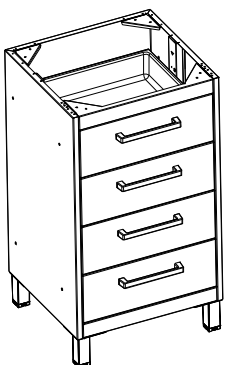
Dimensions (HxLxD): 850 x 500 x 494 mm

Weight: 36,37 kg.

The module includes inserts for drawers:

- T80-1 - 1 piece;
- T80-2 - 1 piece;
- T80-4 - 1 piece.

Article: Si-MF-4m



MODULE OF MEDICAL FURNITURE WITH DRAWERS

770,00 €

Module for 4 drawers (4m)

Dimensions (HxLxD): 850 x 500 x 494 mm

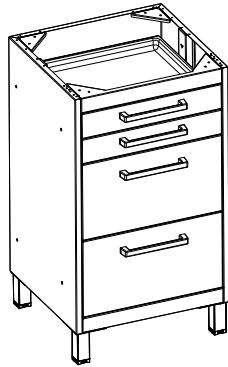
Weight: 40,99 kg.

The module includes inserts for drawers:

- T80-1 - 1 piece;
- T80-2 - 1 piece;
- T80-4 - 1 piece;
- T80-5 - 1 piece.

MEDICAL FURNITURE: MODULES ON FEET

Article: Si-MF-2I2s



MODULE OF MEDICAL FURNITURE WITH DRAWERS

756,00 €

Module for 4 drawers (2l;2s)

Dimensions (HxLxD): 850 x 500 x 494 mm.

Weight: 39,63 kg.

The module includes inserts for drawers:

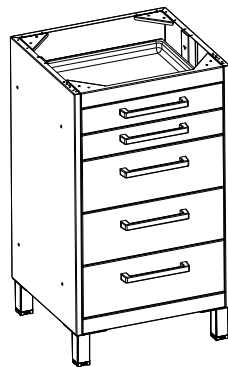
T30-1 - 1 piece;

T30-3 - 1 piece;

T80-1 - 1 piece;

T80-2 - 1 piece.

Article: Si-MF-3m2s



MODULE OF MEDICAL FURNITURE WITH DRAWERS

850,00 €

Module for 5 drawers (3m;2s)

Dimensions (HxLxD): 850 x 500 x 494 mm.

Weight: 44,26 kg.

The module includes inserts for drawers:

T30-1 - 1 piece;

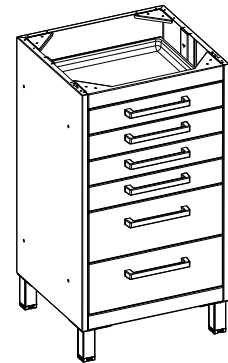
T30-3 - 1 piece;

T80-1 - 1 piece;

T80-2 - 1 piece;

T80-4 - 1 piece.

Article: Si-MF-2m4s



MODULE OF MEDICAL FURNITURE WITH DRAWERS

852,00 €

Module for 6 drawers (2m;4s)

Dimensions (HxLxD): 850 x 500 x 494 mm.

Weight: 47,51 kg.

The module includes inserts for drawers:

T30-1 - 1 piece;

T30-3 - 1 piece;

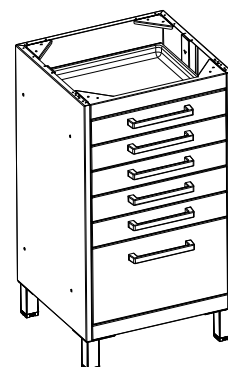
T30-9 - 1 piece;

T30-13 - 1 piece;

T80-1 - 1 piece;

T80-2 - 1 piece.

Article: Si-MF-1I5s



MODULE OF MEDICAL FURNITURE WITH DRAWERS

926,00 €

Module for 6 drawers (1l;5s)

Dimensions (HxLxD): 850 x 500 x 494 mm.

Weight: 46,83 kg.

The module includes inserts for drawers:

T30-1 - 2 pieces;

T30-3 - 1 piece;

T30-9 - 1 piece;

T30-13 - 1 piece;

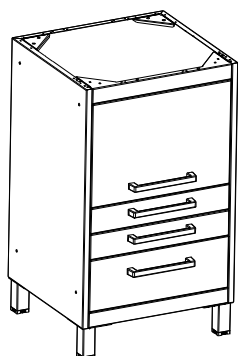
T80-1 - 1 piece.

MEDICAL FURNITURE: MODULES ON FEET

Article: Si-MF3-1l2s/1ds

MODULE OF MEDICAL FURNITURE WITH DRAWERS AND HINGED DOOR

1109,00 €



Module on feet with 3 drawers (1l, 2s) and section with hinged door

Dimensions (HxLxD): 850 x 500 x 460 mm.

Weight: 33,45 кг.

The module includes inserts for drawers:

T30-1 - 1 piece;

T30-3 - 1 piece;

T80-1 - 1 piece.

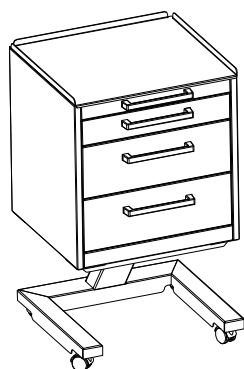
CHAPTER III
MEDICAL FURNITURE "SIRIUS":
MOBILE MODULES

SMILE



MEDICAL FURNITURE: MOBILE MODULES

Article: Si-MMS-2m1s



MODULE OF MEDICAL FURNITURE WITH WHEEL BASE

724,00 €

Mobile module for 3 drawers (2m;1s)

Dimensions (HxLxD): 840 x 500 x 494 mm.

Weight: 42,10 kg.

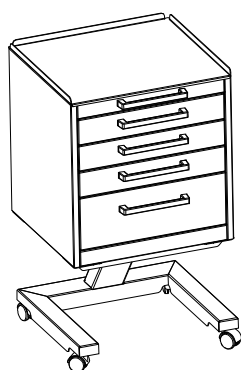
The module includes inserts for drawers:

T30-1 - 1 piece;

T80-1 - 1 piece;

T80-2 - 1 piece.

Article: Si-MMS-1m3s



MODULE OF MEDICAL FURNITURE WITH WHEEL BASE

754,00 €

Mobile module for 4 drawers (1m;3s)

Розміри (HxLxD): 840 x 500 x 494 mm.

Weight: 43,10 kg.

The module includes inserts for drawers:

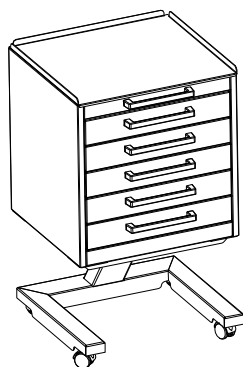
T30-1 - 1 piece;

T30-3 - 1 piece;

T30-9 - 1 piece;

T80-1 - 1 piece.

Article: Si-MMS-5s



MODULE OF MEDICAL FURNITURE WITH WHEEL BASE

786,00 €

Mobile module for 5 drawers (5s)

Dimensions (HxLxD): 840 x 500 x 494 mm.

Weight: 44,10 kg.

The module includes inserts for drawers:

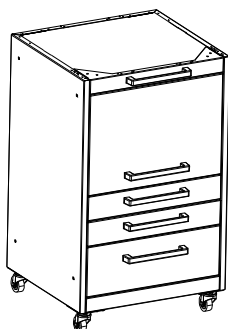
T30-1 - 2 pieces;

T30-3 - 1 piece;

T30-9 - 1 piece;

T30-13 - 1 piece.

Article: Si-MM3-1l2s/1ds



MODULE OF MEDICAL FURNITURE WITH DRAWERS AND HINGED DOOR

847,00 €

Module mobile with 3 drawers (1l, 2s) and section with hinged door

Dimensions (HxLxD): 850 x 500 x 460 mm.

Weight: 33,45 кг.

The module includes inserts for drawers:

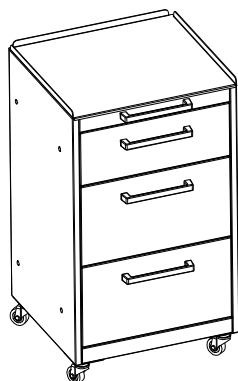
T30-1 - 1 piece;

T30-3 - 1 piece;

T80-1 - 1 piece.

MEDICAL FURNITURE: MOBILE MODULES

Article: Si-MM-2I1m



MODULE OF MEDICAL FURNITURE WITH WHEEL BASE

709,00 €

Mobile module for 3 drawers (2I;1m)

Dimensions (HxLxD): 840 x 500 x 494 mm.

Weight: 37,44 kg.

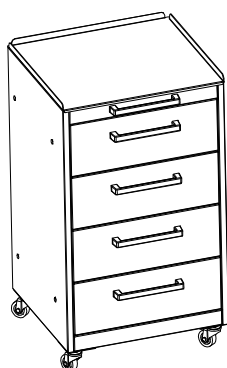
The module includes inserts for drawers:

T80-1 - 1 piece;

T80-2 - 1 piece;

T80-4 - 1 piece.

Article: Si-MM-4m



MODULE OF MEDICAL FURNITURE WITH WHEEL BASE

812,00 €

Mobile module for 4 drawers (4m)

Dimensions (HxLxD): 840 x 500 x 494 mm.

Weight: 42,06 kg.

The module includes inserts for drawers:

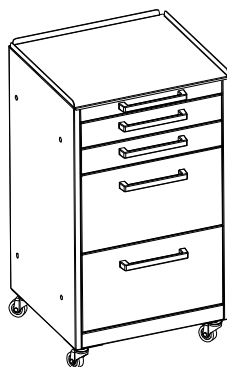
T80-1 - 1 piece;

T80-2 - 1 piece;

T80-4 - 1 piece;

T80-5 - 1 piece.

Article: Si-MM-2I2s



MODULE OF MEDICAL FURNITURE WITH WHEEL BASE

794,00 €

Mobile module for 4 drawers (2I;2s)

Dimensions (HxLxD): 840 x 500 x 494 mm.

Weight: 40,70 kg.

The module includes inserts for drawers:

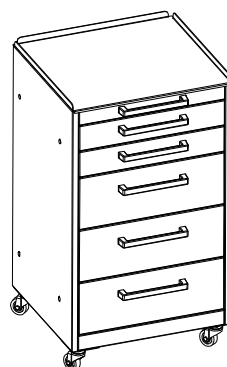
T30-1 - 1 piece;

T30-3 - 1 piece;

T80-1 - 1 piece;

T80-2 - 1 piece.

Article: Si-MM-3m2s



MODULE OF MEDICAL FURNITURE WITH WHEEL BASE

895,00 €

Mobile module for 5 drawers (3m; 2s)

Dimensions (HxLxD): 840 x 500 x 494 mm.

Weight: 45,32 kg.

The module includes inserts for drawers:

T30-1 - 1 piece;

T30-3 - 1 piece;

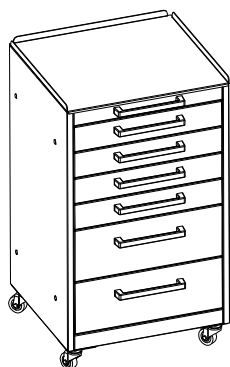
T80-1 - 1 piece;

T80-2 - 1 piece;

T80-4 - 1 piece.

MEDICAL FURNITURE: MOBILE MODULES

Article: Si-MM-2m4s



MODULE OF MEDICAL FURNITURE WITH WHEEL BASE

897,00 €

Mobile module for 6 drawers (2m;4s)

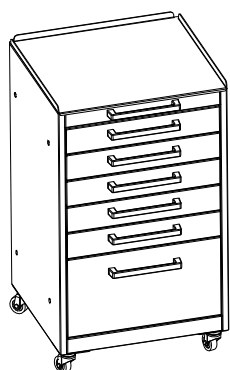
Dimensions (HxLxD): 840 x 500 x 494 mm.

Weight: 48,58 kg.

The module includes inserts for drawers:

- T30-1 - 1 piece;
- T30-3 - 1 piece;
- T30-9 - 1 piece;
- T30-13 - 1 piece;
- T80-1 - 1 piece;
- T80-2 - 1 piece.

Article: Si-MM-1l5s



MODULE OF MEDICAL FURNITURE WITH WHEEL BASE

974,00 €

Mobile module for 6 drawers (1l;5s)

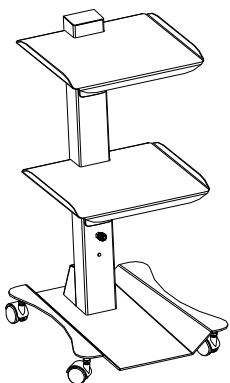
Dimensions (HxLxD): 840 x 500 x 494 mm.

Weight: 47,90 kg.

The module includes inserts for drawers:

- T30-1 - 2 pieces;
- T30-3 - 1 piece;
- T30-9 - 1 piece;
- T30-13 - 1 piece;
- T80-1 - 1 piece

Article: MM-st1



MODULE OF MEDICAL FURNITURE WITH WHEEL BASE

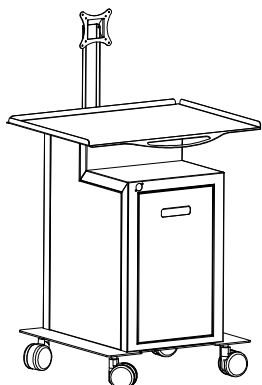
442,00 €

Mobile electrified trolley

Dimensions (HxLxD): 823 x 407 x 470 mm.

Weight: 16,35 kg.

Article: Si-MM



MODULE OF MEDICAL FURNITURE FOR 3-D SCANNER

850,00 €

Module of medical furniture (mobile) for 3-D scanner

Dimensions (HxLxD): 1140 x 651 x 615 mm.

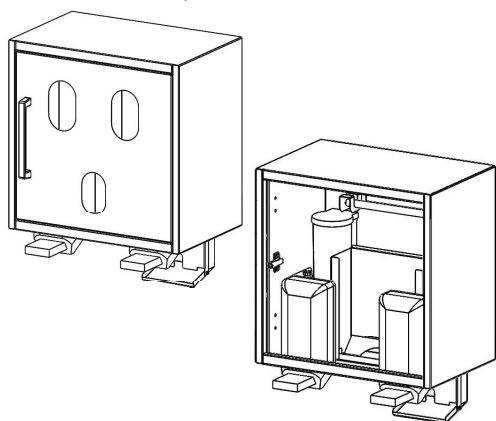
Weight: 18,50 kg.

CHAPTER IV
MEDICAL FURNITURE “SIRIUS”:
HANGING MODULES



MEDICAL FURNITURE: HANGING MODULES

Article: Si-MWD-R/L



MODULE OF MEDICAL FURNITURE — DISPENSER

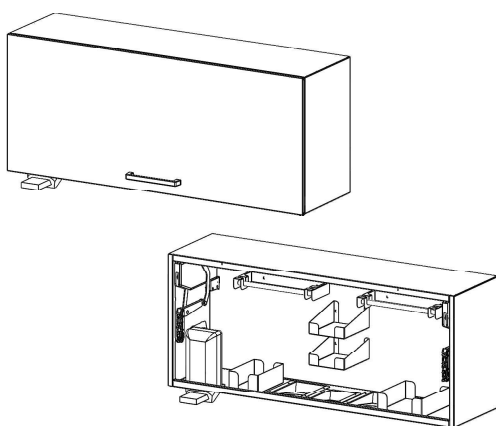
894,00 €

Hanging module for disposable materials — dispenser

Dimensions (HxLxD): 500×353×639 mm

Weight: 21,10 kg

Article: Si-MWD-big



MODULE OF MEDICAL FURNITURE — DISPENSER

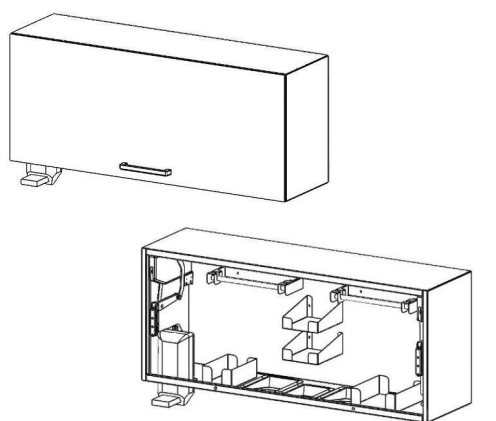
1032,00 €

Hanging module for disposable materials — dispenser

Dimensions (HxLxD): 1204×367×564 mm

Weight: 34,50 kg

Article: Si-MWD-big glass



MODULE OF MEDICAL FURNITURE — DISPENSER

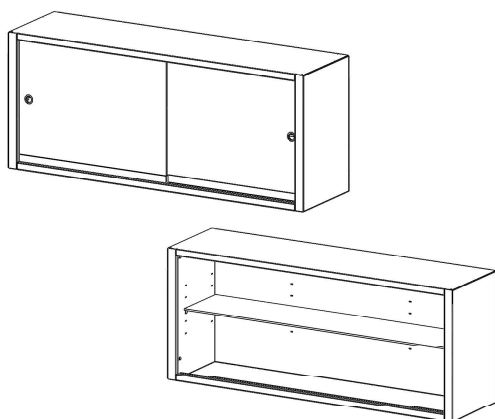
1032,00 €

Hanging module for disposable materials — dispenser.

Dimensions (HxLxD): 1204×365×589 mm

Weight: 36,00 kg

Article: Si-MWD



MODULE OF MEDICAL FURNITURE — HINGED CABINET

574,00 €

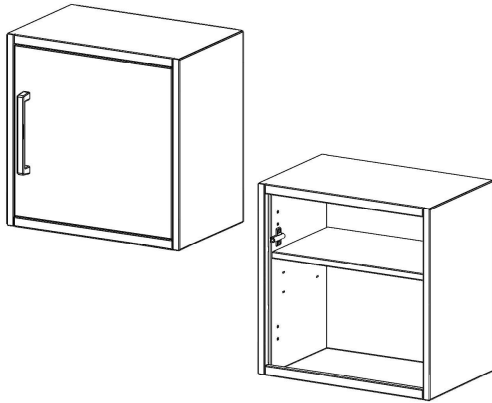
Hanging module with glass doors.

Dimensions (HxLxD): 1204×321×500 mm

Weight: 35,60 kg

MEDICAL FURNITURE: HANGING MODULES

Article: Si-MWD-m



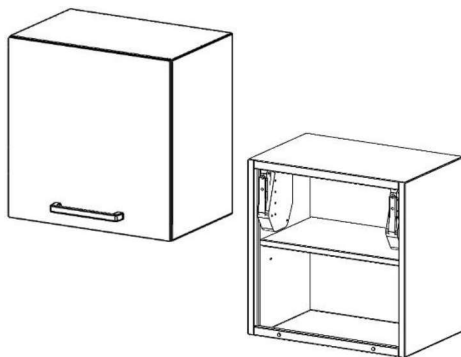
MODULE OF MEDICAL FURNITURE — HINGED

567,00 €

CABINET Hanging module with doors. Dimensions

(HxLxD): 500×353×500 mm Weight: 18,00 kg

Article: Si-MWD-m glass



MODULE OF MEDICAL FURNITURE — HINGED CABINET

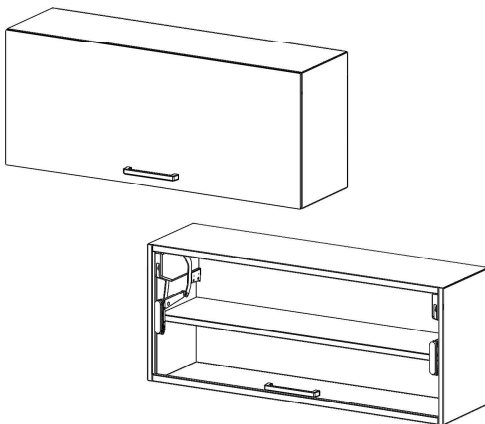
567,00 €

Hanging module with doors.

Dimensions (HxLxD): 500×363×500 mm

Weight: 21,00 kg

Article: Si-MWD-bm glass



MODULE OF MEDICAL FURNITURE — HINGED CABINET

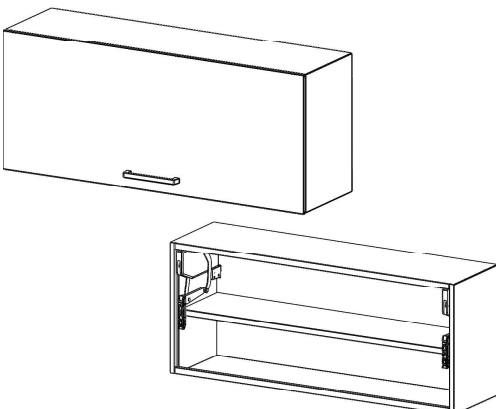
878,00 €

Hanging module with glass doors.

Dimensions (HxLxD): 1204×363×500 mm

Weight: 35,50 kg

Article: Si-MWD-bm



MODULE OF MEDICAL FURNITURE — HINGED CABINET

878,00 €

Hanging module with doors.

Dimensions (HxLxD): 1204×367×500 mm

Weight: 39,00 kg

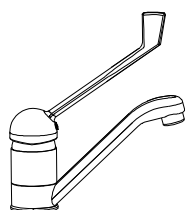
CHAPTER V
**MEDICAL FURNITURE “SIRIUS”:
WORKTOPS, MIXERS, SINKS**



MEDICAL FURNITURE: MIXERS, SINKS, WORKTOPS

MIXER FOR SINK

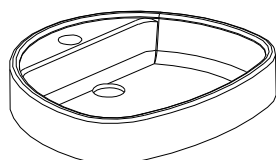
187,00 €



CERAMIC SINK

278,00 €

Colour: white



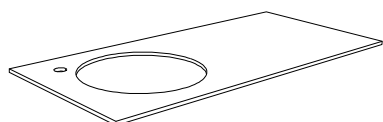
WORKTOP

105,00 €*

Worktop made of laminated wood-chip board
(depth 500 mm)

Worktop made of laminated wood-chip board
(depth 600 mm)

Available in 10 colours (check with your manager for
available colours).



* Cost of the worktops is specified for 1 running meter.

CHAPTER VI
**MEDICAL FURNITURE “SIRIUS”:
INSERTS FOR DRAWERS**



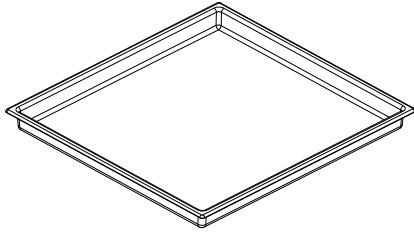
MEDICAL FURNITURE "SIRIUS": INSERTS FOR DRAWERS TYPE S

Article: T30-1

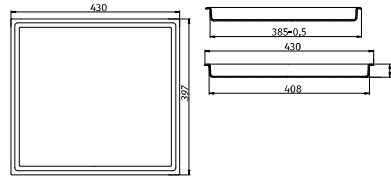
INSERT FOR DRAWER

42,00 €

Insert for drawer with 1 section (s)



Dimensions are for information and given in millimeters.

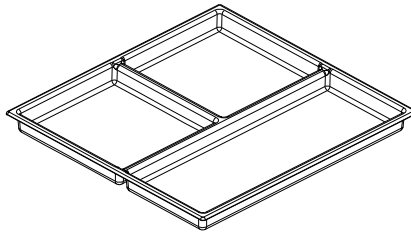


Article: T30-3

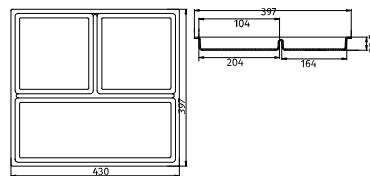
INSERT FOR DRAWER

42,00 €

Insert for drawer with 3 sections (s)



Dimensions are for information and given in millimeters.

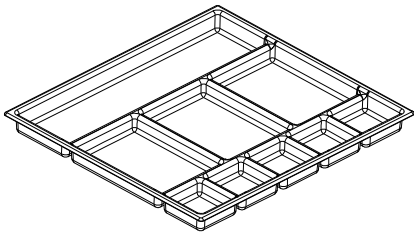


Article: T30-9

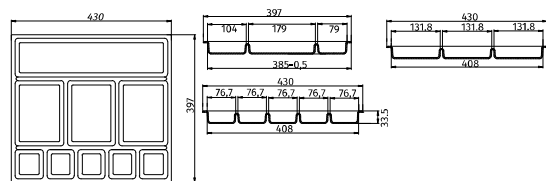
INSERT FOR DRAWER

42,00 €

Insert for drawer with 9 sections (s)



Dimensions are for information and given in millimeters.

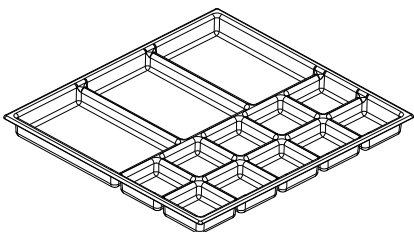


Article: T30-13

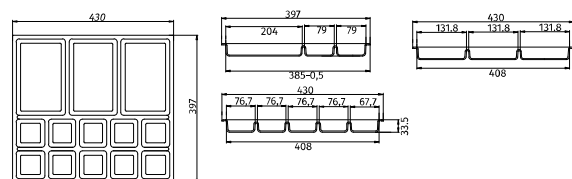
INSERT FOR DRAWER

42,00 €

Insert for drawer with 13 sections (s)



Dimensions are for information and given in millimeters.



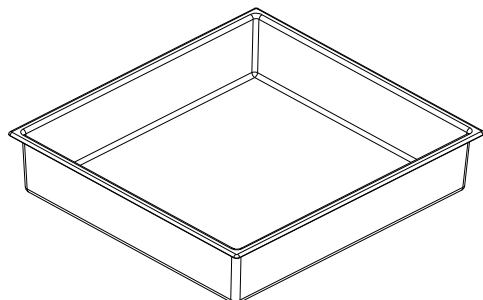
MEDICAL FURNITURE "SIRIUS": INSERTS FOR DRAWERS TYPES M AND L

Article: T80-1

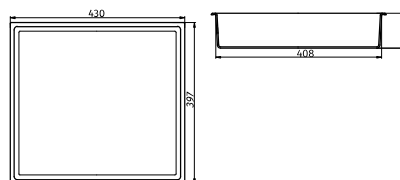
INSERT FOR DRAWER

42,00 €

Insert for drawer with 1 section (l; m)



Dimensions are for information and given in millimeters.

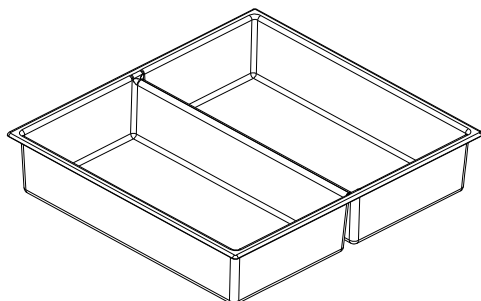


Article: T80-2

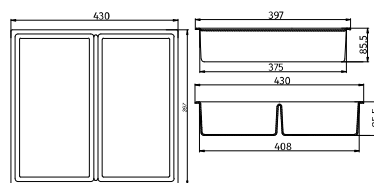
INSERT FOR DRAWER

42,00 €

Insert for drawer with 2 sections (l; m)



Dimensions are for information and given in millimeters.

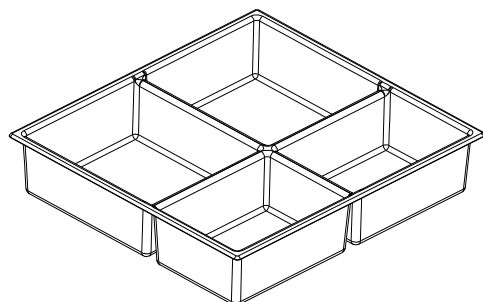


Article: T80-4

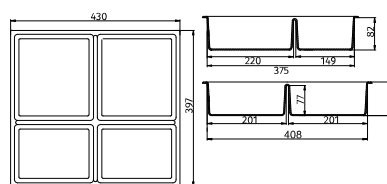
INSERT FOR DRAWER

42,00 €

Insert for drawer with 4 sections (l; m)



Dimensions are for information and given in millimeters.

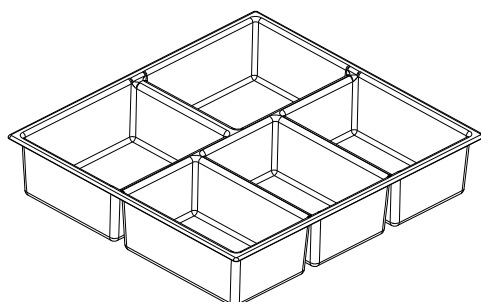


Article: T80-5

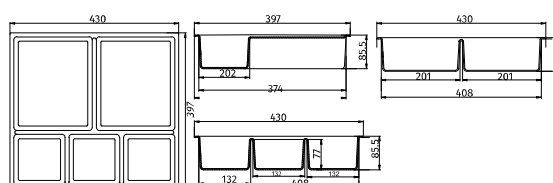
INSERT FOR DRAWER

42,00 €

Insert for drawer with 5 sections (l; m)



Dimensions are for information and given in millimeters..



DENTAL FURNITURE "SIRIUS": COLOUR COLLECTION

Colour collection*

				
RAL: 9005 Colour: jet black	RAL: 5011 Colour: steel blue	RAL: 3003 Colour: ruby red	RAL: 6005 Colour: moss green	RAL: 3005 Colour: wine red
				
RAL: 7021 Colour: black grey	RAL: 5003 Colour: sapphire blue	RAL: 2012 Colour: salmon orange	RAL: 6000 Colour: patina green	RAL: 4003 Colour: heather violet
				
RAL: 7012 Colour: basalt grey	RAL: 5002 Colour: ultramarine blue	RAL: 1017 Colour: saffron yellow	RAL: 6025 Colour: fern green	RAL: 4006 Colour: traffic purple
				
RAL: 9007 Colour: grey aluminium	RAL: 5023 Colour: distant blue	RAL: 3018 Colour: strawberry red	RAL: 6019 Colour: pastel green	RAL: 4001 Colour: red lilac
				
RAL: 7042 Colour: traffic grey A	RAL: 5012 Colour: light blue	RAL: 8017 Colour: chocolate brown	RAL: 6027 Colour: light green	RAL: 9002 Colour: grey white
				
RAL: 7038 Colour: agate grey	RAL: 7031 Colour: blue grey	RAL: 8028 Colour: terra brown	RAL: 1019 Colour: grey beige	

* The cost of painting for medical modules into the non-standard colour (different as the RAL 9016) is **+10%**.

Attention! Real colour of the product can be different from the sample given in the colour collection palette.

Manufacturer

PC Galit
6E, 15 Kvitnya Str., Baikivtsi, Ternopil region,
47711, UKRAINE

+380-800-502-998

office@galit.te.ua
service@galit.te.ua

European representative

Galdent CZ s.r.o.
K Vapence 448, 41503 Teplice, Czech Republic

+420-775-471-378

export@galit.te.ua
galdentcz@gmail.com