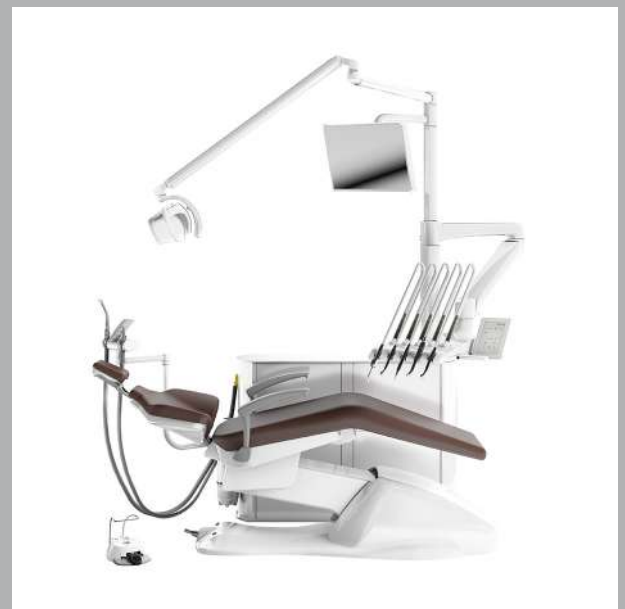


# GALIT

EXPERTS IN DENTISTRY



**GALIT AUTONOME**

# EXPERTS IN DENTISTRY

GALIT is the premier manufacturer of dental equipment in Ukraine. It is distinguished by its integration of high-quality European components, commitment to universality, and emphasis on ergonomic design.

## EXPERTISE IS OUR PRIORITY

For a quarter of a century, our mission has been to craft high-quality dental and medical equipment, delivering comprehensive solutions with an expert focus on addressing client needs. We prioritize the durability of our solutions and value enduring relationships with our customers and partners.

## BRAND VALUES:

**QUALITY** – We adhere to international quality standards for medical devices.

**TRUST** – Respect, integrity, and sincerity guide all our actions.

**CARE** – Our commitment to our people and customers drives us to act with dedication and passion.

**INNOVATION** – We embrace the latest technologies to achieve the best outcomes.

**PARTNERSHIP** – We collaborate with healthcare professionals and partners to achieve mutual success.

**DEDICATION** – We work meticulously to deliver exceptional results while providing the highest customer service.



GALIT AUTONOME

## New Opportunities for Dentistry

**GALIT AUTONOME** – is an autonomous dental unit designed to operate without connecting to the external service lines.

This innovative solution for dentist's rooms allows for maximum flexibility in selecting the equipment connection point. All the necessary systems are incorporated into the hydraulic unit, making the dental unit completely independent from any external service lines.

-  **Only requires a socket**
-  **Low-noise operation**
-  **No connection to service lines**
-  **All in one**
-  **Service support**
-  **User-friendly controls**
-  **Security**
-  **Warranty**

**UNIT MODELS**





# A single socket for a full-scale dentist's office



The dental unit only requires connection to the power supply for operation



Low-noise operation without causing any discomfort to the dentist or patient.

SOUND LEVEL			
			
<b>51 dB</b>	<b>58 dB</b>	<b>59 dB</b>	<b>63 dB</b>



**GALIT AUTONOME PRO**



**GALIT AUTONOME**



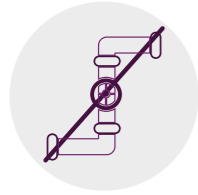
**GALIT AUTONOME CONSOLE**



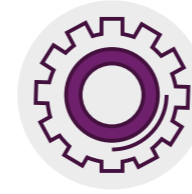
**GALIT AUTONOME MINI**

## HYDRAULIC

# ALL IN ONE SOLUTION



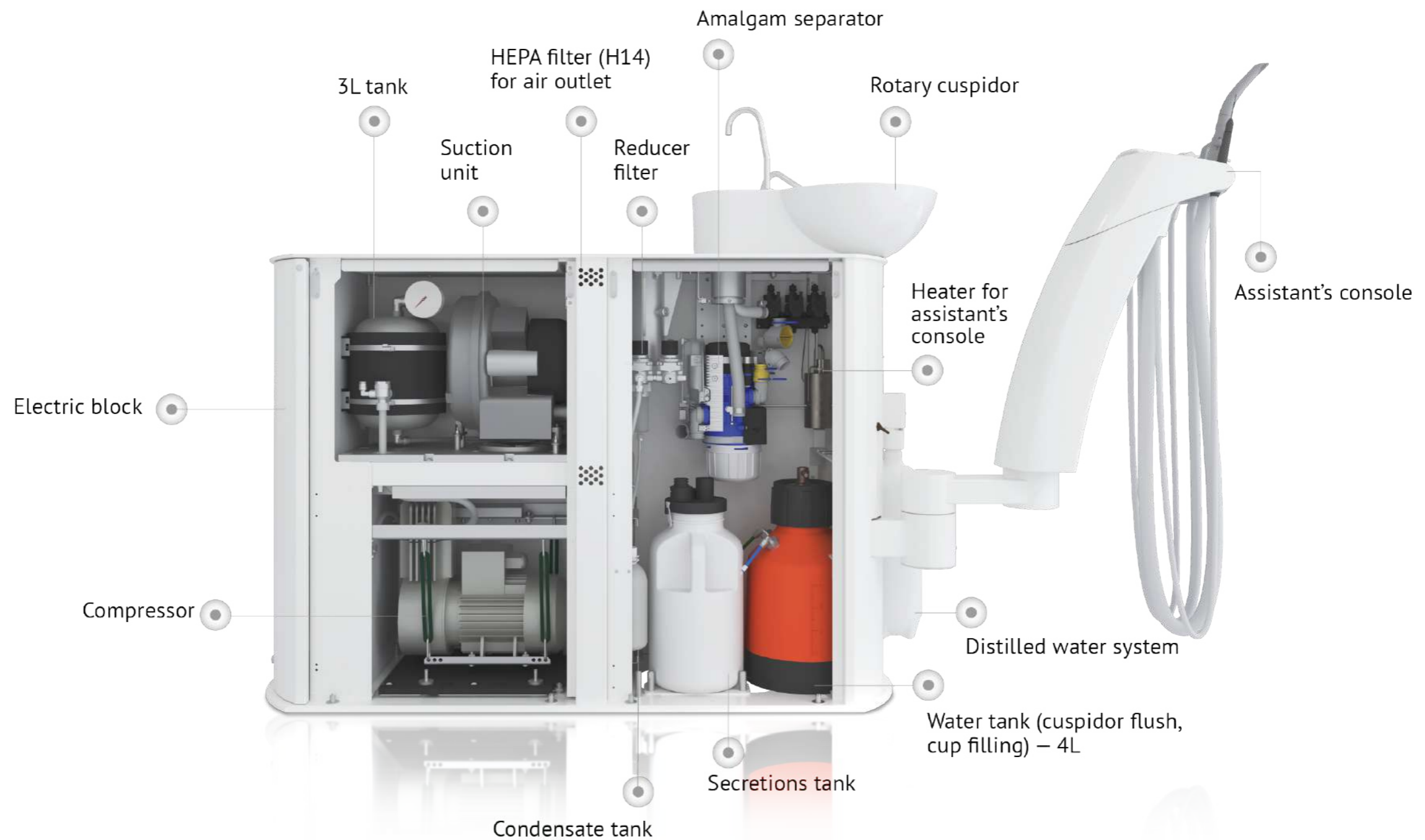
GALIT AUTONOME units operate without connecting to water, compressed air supply, centralized vacuum, or sewage networks.



The units operate independently via built-in hydraulic unit modules, which enable fault-free operation even in spaces without any standard dental infrastructure.



The air in the dentist's office is purified via a HEPA filter. It suffices to remove two lids with accessible locks to perform disinfection or service.





GALIT AUTONOME

## PATIENT CHAIR

# Maximum comfort, minimum effort

The patient's chair is an essential and integral part of any dental unit. At GALIT, we have taken care to have the patient experience maximum comfort during each stage of the treatment and allow the dentist to fully concentrate on their job.

All GALIT dental units feature premium ergonomic chairs manufactured by the Italian company Tecnodent. They stand out for their intelligent design, high reliability and comfort tested for compliance with European standards.



Customizable upholstery colours from a palette with more than 25 options. In addition to standard upholstery, Soft Foam or Memory Foam options are available for increased comfort.



The chair can feature a left-side and/or right-side armrest for maximum patient comfort.



Additional Trendelenburg function (simultaneous 15° leg lifting and 90° backrest reclining) for proper circulation.



Precision joystick for easy and effective hands-free chair control.

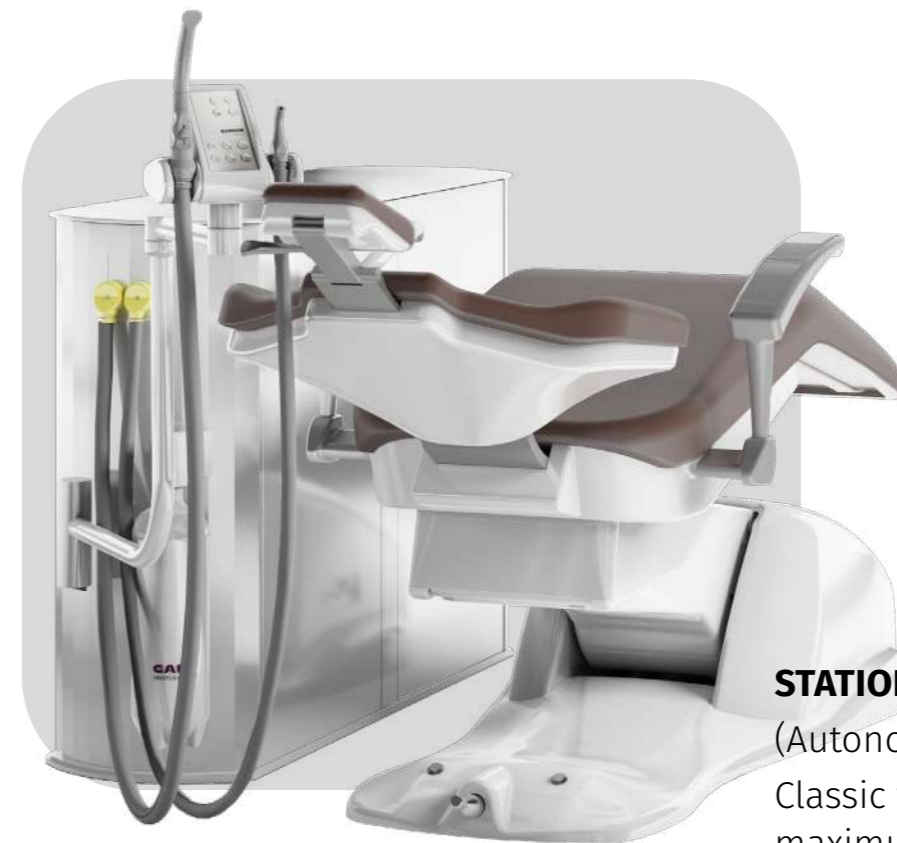
 9002 White	 300 40 20 Lilac	 3012 Peach	 5003* Dark blue
 5011 Steel blue	 6001 Taupe	 7502 Anthracite	 4009* Mauve
 3493 Türkis	 3016 Coral red	 6033 Mint green	 8017 UM33** Suede brown
 1300T Zinc yellow	 1011 Light gray	 3491 Periwinkle blue	 7021** Black gray satin
 1414 Red	 5515 Apple green	 1604T Burgundy	 15141*** Sparkle blue
 3494 Silk gray	 5023 Pastel blue	 1007 Black	 14966*** Sparkle green
 1009 D Electric blue	 5510 Purple		 21366*** Platinum

\*The product colour may differ from the actual item



GALIT AUTONOME CONSOLE

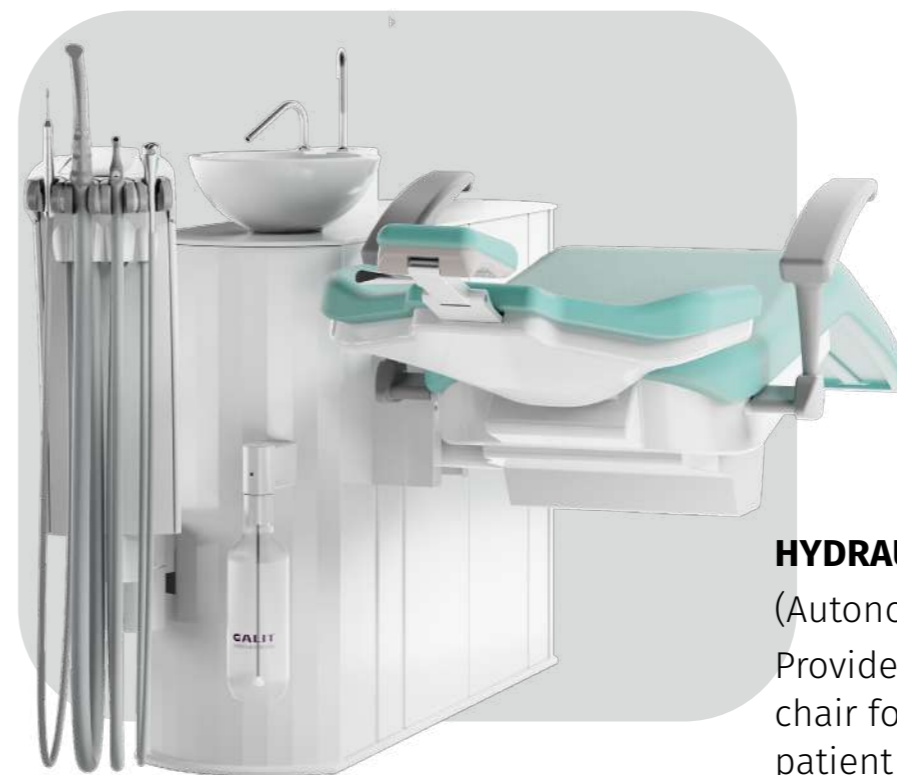
With GALIT units, the dentist can select the patient's chair installation method:



**STATIONARY CHAIR**

(Autonome model)

Classic floor mounting for maximum stability and secure fixing.



**HYDRAULIC UNIT ATTACHMENT**

(Autonome Console model)

Provides extra space under the chair for comfortable dentist-patient interaction.



GALIT AUTONOME CONSOLE

## CUSPIDOR UNIT

Ceramic cuspidor bowl with 180° rotation enhances usability for the assistant and ensures maximum patient comfort during the treatment procedures.



## ASSISTANT'S CONSOLE

### DÜRR Comfort assistant's console

Enables efficient interaction between the dentist and the assistant, which is the key to high-quality and comfortable treatment.

Main advantages:

- Toolholder angle adjustment.
- Easy horizontal movement of the console.
- Options with 2 to 5 tools.



### PRO assistant's console

The smart ergonomic design of the console allows for convenient tools arrangement and easy patient's chair control.

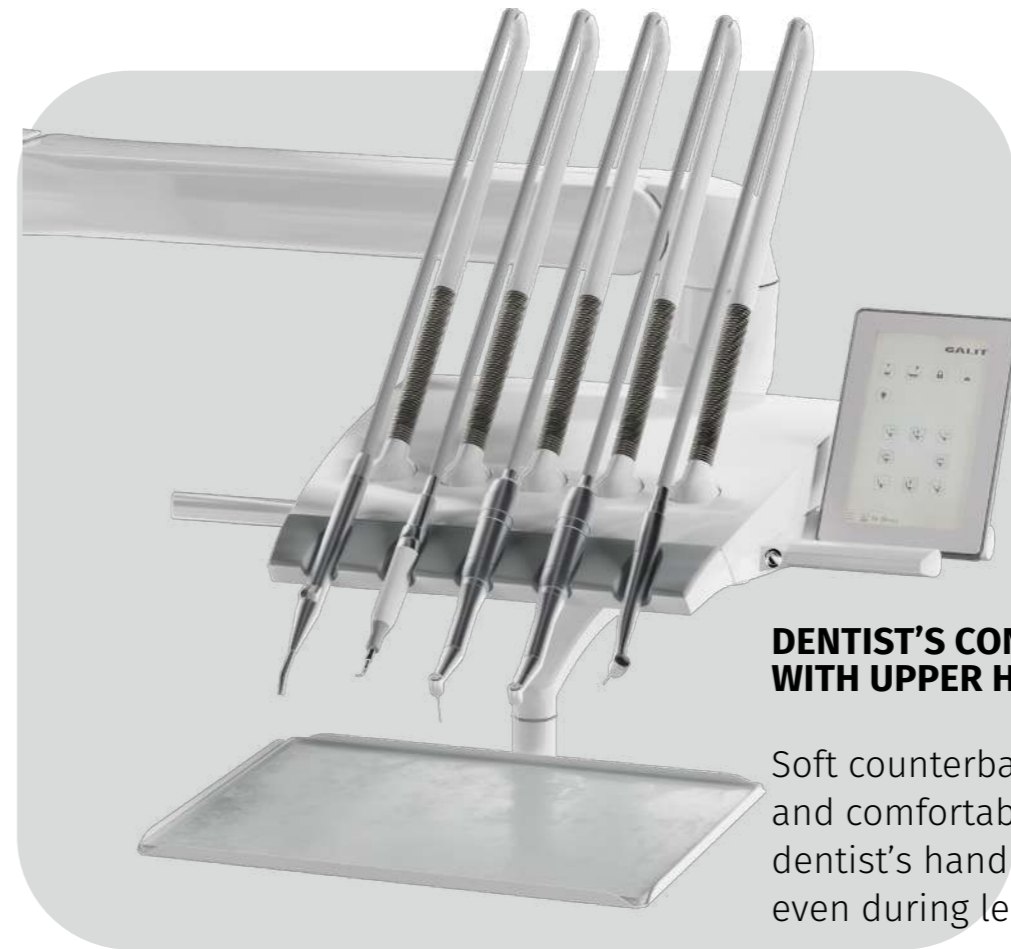
Main advantages:

- Options with up to 4 tools.
- Independent operation of the aspiration system – the saliva aspirator and dust aspirator operate independently to improve the performance.
- Easy horizontal movement of the console.



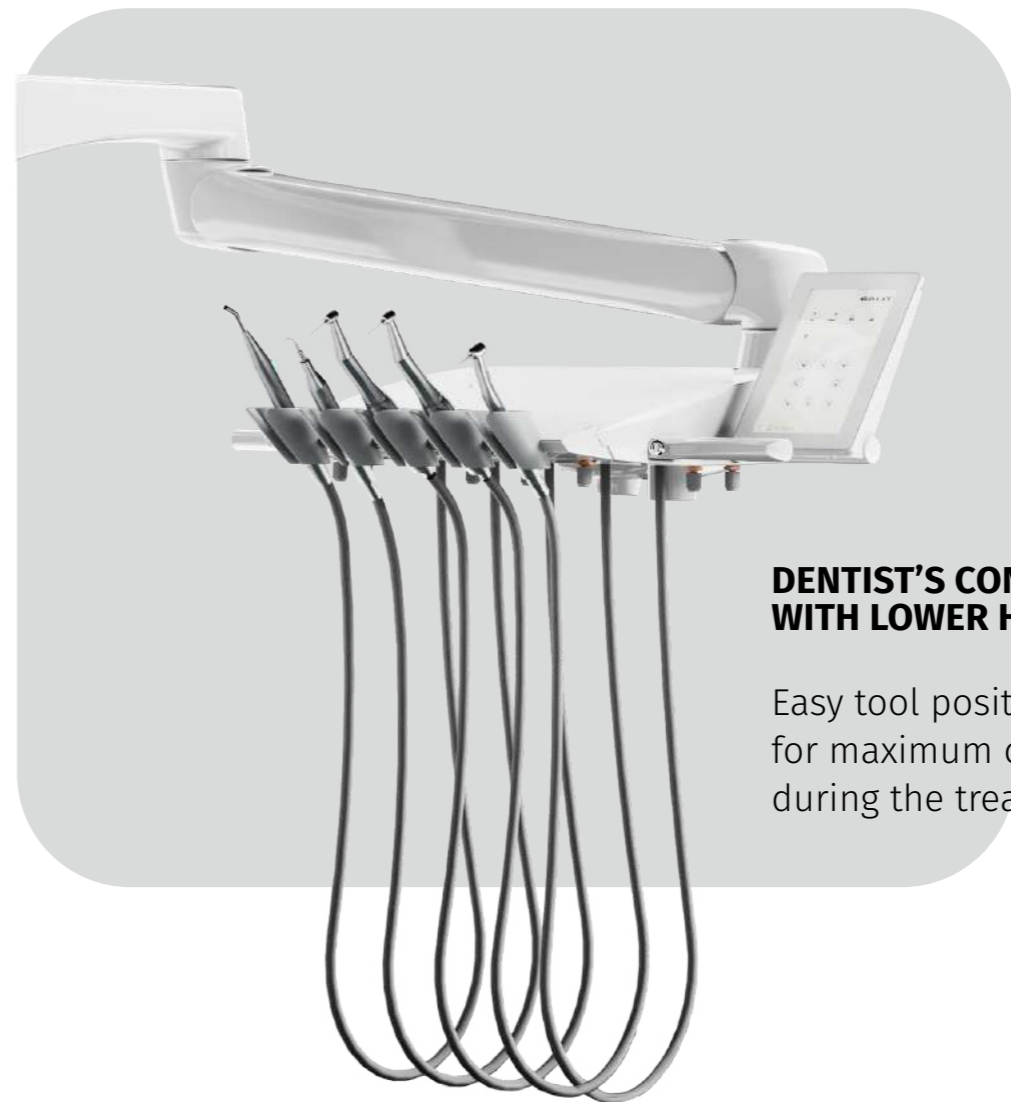
## DENTIST'S CONSOLE

# Ergonomics based on experience



### DENTIST'S CONSOLE WITH UPPER HOSE DELIVERY

Soft counterbalance springs for easy and comfortable use of the tools. The dentist's hand will not be overloaded, even during lengthy procedures.



### DENTIST'S CONSOLE WITH LOWER HOSE DELIVERY

Easy tool position and angle control for maximum comfort and ergonomics during the treatment.

## CONTROL PANEL

The dentist's console supports two control panel options: standard or advanced touchscreen panel.

### Standard control panel

Allows for easy power adjustment for all tools and patient chair repositioning. Everything is within reach for complete control of the treatment process.



### Touchscreen control panel

Intuitive interface, advanced functionality and real time display of all the parameters enable instant response to any changes, as well as more precise and efficient work.



Complete workflow control with ease.

## TOOLS

The dentist's console of GALIT dental unit can feature five custom-tailored tools meeting the modern dentistry standards. The tools are arranged in the order that is convenient and familiar for the dentist, which provides comfort and enhances the efficiency of the procedures.

With our extensive range of tools dentists can customize their workplace taking into account the types of treatment procedures – from prophylaxis to surgery. GALIT provides flexible options and enhances equipment ergonomics.





GALIT AUTONOME PRO

## LAMP

All GALIT dental units are equipped with lamps from the market leader — the Italian company FARO. Every model provides high-precision and even illumination, easy control, and removable handles for autoclave treatment.

### Operating temperature:

5 700 K

For accurate dental colour matching, prosthetics, and conservative dentistry

5 000 K

For orthodontic therapy, conservative dentistry, and children's dentistry

4 000 K

For surgery

2 700 K

Composave: prevents premature curing



### MAIA LED

Light field: 170 x 95 mm.

Light flux intensity: 3,000–45,000 LUX at a distance of 700 mm.

5 000 K

### EVA LED TUNABLE WHITE

Light field: 190 x 100 mm.

Light flux intensity: 3,000–50,000 LUX at a distance of 700 mm.

5 700 K

5 000 K

4 000 K

2 700 K



### B75. Dentistry mode:

Light field: 200 x 100 mm.

Light flux intensity: 3,000–50,000 LUX at a distance of 700 mm.

5 700 K

5 000 K

4 000 K

2 700 K



### B75. Surgery mode:

Light field:  $\varnothing$  250 mm.

Light flux intensity: Up to 160,000 LUX at a distance of 800 mm.

5 000 K

2 700 K

STANDARD VERSION

<b>STATIONARY HYDRAULIC UNIT:</b>	
Lamp stand	
DK50 compressor with a 5L stainless steel tank, condensate separator with filter and automatic condensate drain built into the hydraulic unit	
Aspiration unit with HEPA filter built into the hydraulic unit	
Water tank (6L) for cuspidor flushing and cup filling	
Secretions tank (5L)	
2L distilled water system	
<b>DENTIST'S CONSOLE</b> with upper or lower hose delivery on a pantograph arm with pneumatic brake, including:	
X-ray viewer with LED illumination	
Chair and unit control panel with power adjustment of all dynamic instruments and Endo option	
<b>PATIENT CHAIR STING</b> basic option (Tecnodent), including:	
Fully electromechanical lift and backrest positioning	
Reset position program	
Spitting position program	
Joystick for foot control on the chair base	
Emergency stop on the chair base	
Emergency stop on the backrest	
UNI double articulation headrest	
Narrow backrest	

ADDITIONAL OPTIONS

<b>FOR DENTIST'S CONSOLE:</b>	
New dentist's console design	
Optic pneumatic outlet	
MCX LED Bien Air micromotor (1,000–40,000 rpm)	
Second MCX LED Bien Air micromotor (1,000–40,000 rpm)	
Piezoelectric Compact piezo P2K Mectron scaler with 2 handpieces	
Piezoelectric Compact piezo LED Mectron scaler	
Piezoelectric Newtron LED Acteon scaler	
Piezoelectric UDS-N6 LED Woodpecker scaler	
3-functional DCI syringe	
3-functional MINIMATE Luzzani Dental syringe	
Starlight Sx5 photopolymer lamp	
Large instrument table with silicone mat	
Water heater for dentist's console tools	
Satelec peristaltic pump	
<b>TOUCHSCREEN CONTROL PANEL (OPTION):</b>	
MX2 LED Bien Air micromotor	
Second MX2 LED Bien Air micromotor	
MXI LED Bien Air micromotor	
Second MXI LED Bien Air micromotor	

ADDITIONAL OPTIONS

<b>FOR ASSISTANT'S CONSOLE:</b>	
Dürr Comfort assistant's console with control panel, saliva aspirator and dust aspirator with filter	
Pro assistant's console with control panel, saliva aspirator and dust aspirator	
Dust aspirator	
Saliva aspirator	
3-functional DCI syringe	
3-functional MINIMATE Luzzani Dental syringe	
Starlight sx5 Mectron photopolymer lamp	
Diathermocoagulator	
<b>FOR HYDRAULIC UNIT:</b>	
Monitor arm (w/o cables) in the cuspidor area	
Metal plate on the floor for securing the unit and the chair	
Napkin holder	
Central valve for switching on water	
Central valve for switching on air	
<b>LAMP OPTIONS:</b>	
FARO MAIA LED lamp	
FARO EVA LED lamp	
FARO B75 lamp	
<b>FOR DENTAL CHAIR:</b>	
ECO NEXT upgrade for STING chair (with UNI backrest)	
2009 NEXT upgrade for STING chair (with UNI backrest)	
VALE upgrade for STING chair (with UNI backrest, joystick)	
Left-side/right-side rotary detachable armrest	
Trendelenburg function (15° leg lift and 90° backrest tilt)	
Three additional chair programs	
SOFT FOAM chair upholstery upgrade	
MEMORY FOAM chair upholstery upgrade	
Seat protection mat	
<b>FOOT PEDAL OPTIONS:</b>	
Pneumatic foot pedal	
FARO multifunctional foot pedal	
FARO wireless multifunctional foot pedal	



## CONTROL PEDAL

# Craftsmanship in details

GALIT product range features foot pedals with various functionalities, so that the dentist can select the best solution for their specific needs.



### WIRED MULTIFUNCTIONAL FOOT PEDAL:

- Switching dental tools on/off.
- Switching on/off the spray and dental tool blowing.
- Dental tooling speed/output control.



### WIRELESS MULTIFUNCTIONAL FOOT PEDAL:

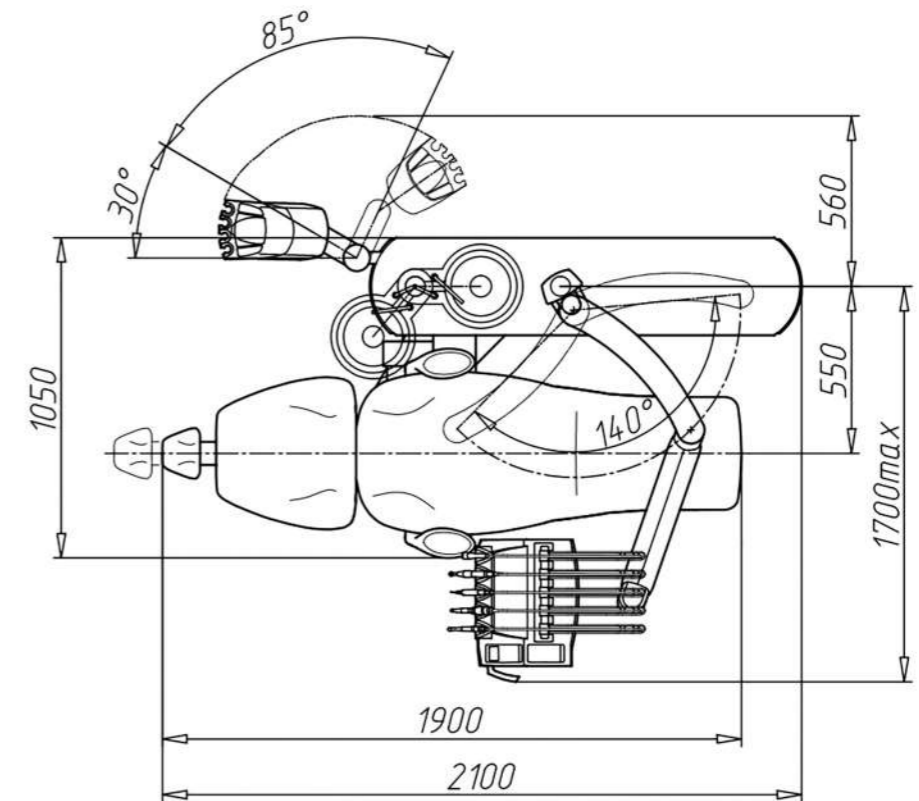
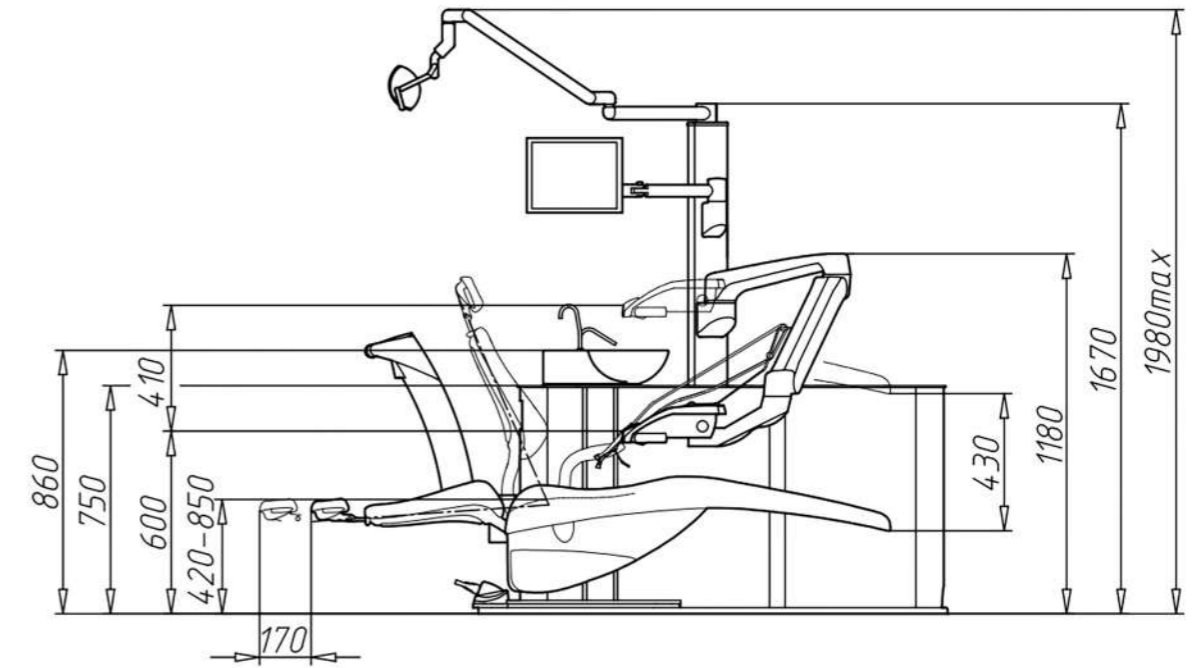
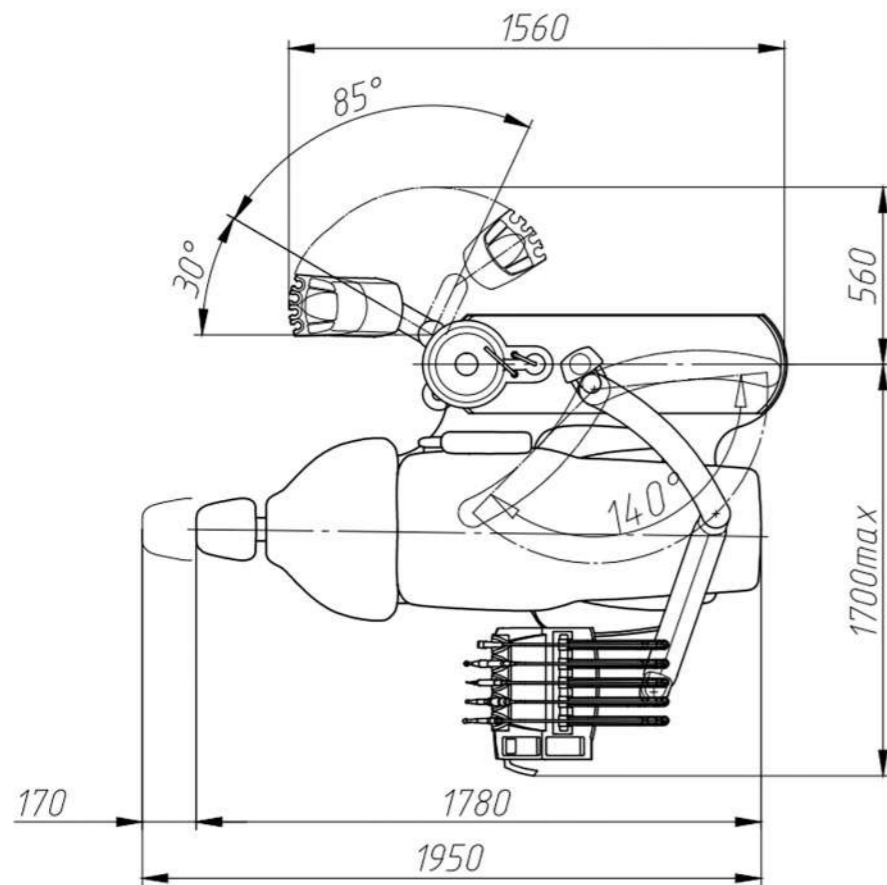
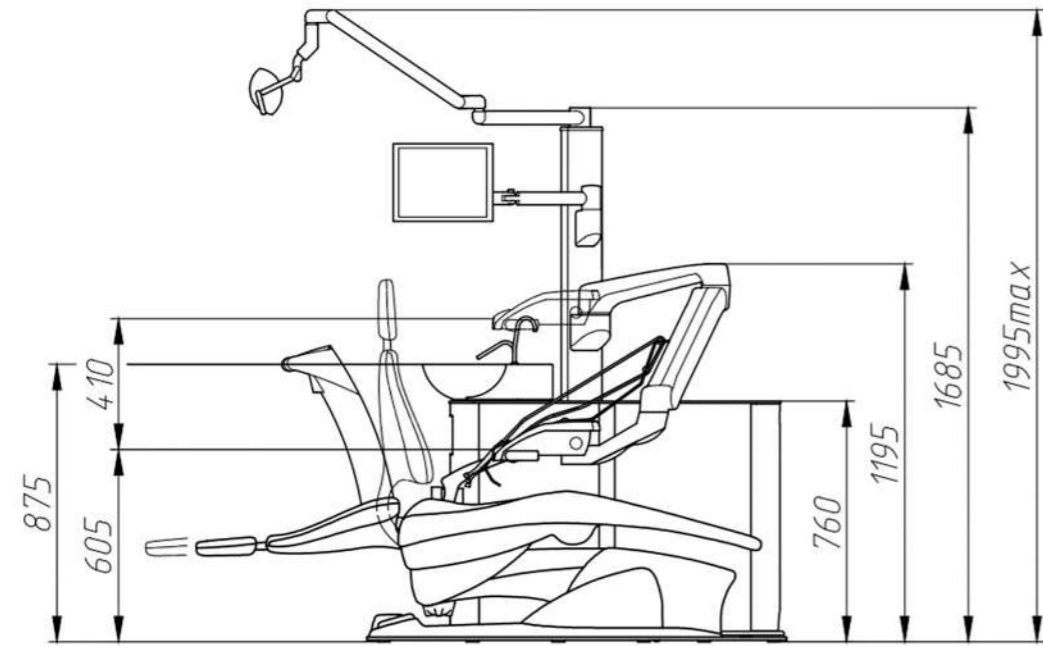
Advanced pedal featuring wireless Bluetooth connection and high-current high capacity battery with extended service life (up to 6 months).



### PNEUMATIC FOOT PEDAL:

- Switching dental tools on/off.

## UNIT DIMENSIONS



Dimensions of GALIT AUTONOME dental unit with upper tools delivery and ECO NEXT patient chair

Dimensions of GALIT AUTONOME dental unit with upper tools delivery and STING patient chair

Dental unit service kit  
**GALIT AUTONOME**  
Article number: 4.070.003

Dental unit service kit  
**GALIT AUTONOME CONSOLE**  
Article number: 4.070.009



(Yellow) filter cover  
Replacement frequency: Once a year

**Article number: 0725-100-02**



Replaceable cartridge for (yellow) dust/saliva ejector filter  
Replacement frequency: Once in 3 months

**Article number: 0725-041-60**



HEPA filter  
Replacement frequency: Once a year

**Article number: 7119100010**



Dust ejector tube  
Replacement frequency: Once a year

**Article number: 006.438.005-01**



Saliva ejector tube  
Replacement frequency: Once a year

**Article number: 006.438.004-01**



Return air filter  
Foam k25  $\phi$ 35x20  
Replacement frequency: Once in 3 months

**Article number: 008.260.000**



Cuspidor screen with gray lid  
Replacement frequency: Once a year

**Article number: vc-353-02b**



Filter element  
Replacement frequency: Once a year

**Article number: AW20P-060S-7-40B**



Bottle filter  
Replacement frequency: Once a year

**Article number: 005.886.010**



Sealing ring  
20x24x2.5 (green)  
Replacement frequency: Once a year

**Article number: 94.3771.020-024-2,5**



Rubber clamps for a can  
Replacement frequency: Once a year

**Article number: 210400**



Sealing ring  
Replacement frequency: Once a year

**Article number: AC-543-06**



Sealing ring  $\phi$  20 mm  
(5 pcs set)  
Replacement frequency: Once a year

**Article number: 9000-402-54E**



Compressor outlet filter  
Replacement frequency: Once a year

**Article number: 025200194-000**



# Impressive quality. Inspiring innovations



From a design to implementation, the GALIT team keeps an eye on every stage of operation. When non-standard installation options are ordered, the first step of performance of the order is a technical design solution, therefore a client receives a product whose quality is guaranteed by its manufacturer.



GALIT has 5,000 square meters of production spaces. Availability of up-to-date production capacities ensures maximum precision and quality of products, and performance of orders within a short period.

Having a professional design division, up-to-date equipment, the best manufacturing experts, as well as over 30 renowned dental equipment brands among their partners, GALIT provides expert solutions meeting needs and wishes of the most sophisticated clients.

Our concern is durability of our dental units, since we appreciate the longevity of our relations with our clients!

## EXPERTS IN DENTISTRY



# **GALIT**

Manufacturer

PC Galit  
6E, 15 Kvitnya Str., Baikivtsi, Ternopil region,  
47711, UKRAINE

+380-800-502-998

office@galit.te.ua  
service@galit.te.ua

European representative

Galdent CZ s.r.o.  
K.Vapence 448, 41503 Teplice, Czech Republic

+420-775-471-378

export@galit.te.ua  
galdentcz@gmail.com



Version: 20250806

The technical specification or appearance of the equipment is subject to change without prior notice