

# **GALIT**

**EXPERTS IN DENTISTRY**

## **GALIT OMNIPRATIQUE**



YOUR SMILE

# EXPERTS IN DENTISTRY

GALIT is the premier manufacturer of dental equipment in Ukraine. It is distinguished by its integration of high-quality European components, commitment to universality, and emphasis on ergonomic design.

## EXPERTISE IS OUR PRIORITY

For a quarter of a century, our mission has been to craft high-quality dental and medical equipment, delivering comprehensive solutions with an expert focus on addressing client needs. We prioritize the durability of our solutions and value enduring relationships with our customers and partners.

## BRAND VALUES:

**QUALITY** – We adhere to international quality standards for medical devices.

**TRUST** – Respect, integrity, and sincerity guide all our actions.

**CARE** – Our commitment to our people and customers drives us to act with dedication and passion.

**INNOVATION** – We embrace the latest technologies to achieve the best outcomes.

**PARTNERSHIP** – We collaborate with healthcare professionals and partners to achieve mutual success.

**DEDICATION** – We work meticulously to deliver exceptional results while providing the highest customer service.



**Why do dentists choose GALIT Omnipratique for their daily practice?**

## **QUALITY AND DURABILITY**

*Only high-quality components from European manufacturers and durable materials, such as polyurethane, metal, and ceramics, are used to manufacture dental units.*

## **ERGONOMICS AND FUNCTIONALITY**

*A wide selection of options enables you to customize the dental unit according to your practice's specific requirements.*

## **CONVENIENT TECHNICAL SUPPORT**

*The GALIT Omnipratique model is designed for easy maintenance with its layout allowing convenient access to components for service workers and medical personnel.*

## **PROVEN RELIABILITY, TESTED OVER TIME**

*GALIT Omnipratique is an undisputed bestseller in its segment. More than 4,000 leading clinics worldwide have chosen this dental unit for their daily work. The positive experience and feedback of our customers confirm the status of GALIT Omnipratique as a reliable model.*

The GALIT Omnipratique model is an ideal solution for dental professionals who value tradition and seek simplicity, functionality, and reliability in their practices.

## TECNODENT PATIENT CHAIR

**The perfect blend of technology and craftsmanship ensures comfort for both the dentist and the patient.**

Unique characteristics of the patient chair:

- Soft curves and seamless upholstery ensure perfect hygiene.
- High-precision joystick for easy control.
- An anatomically designed backrest and multi-articulated headrest ensure optimal comfort for the patient.

Enhance the functionality of your GALIT OMNIPRATIQUE with these additional chair options:

- Left/right rotatable, removable armrest.
- Magnetic pillow for a flat headrest.
- Rotation of the chair (+/- 30°) relative to the vertical.
- Trendelenburg function.
- Additional three programs for the chair.
- Replacing the chair upholstery with Memory Foam or Soft Foam.
- Special mat to protect the seat from damage.
- Security STOPS on the backrest and on the base.



The Soft foam chair upholsteries ensures patient comfort, even during prolonged medical procedures.



The chair can be equipped with left and/or right armrests for added patient convenience.



Trendelenburg function (synchronous lifting of the legs by 15° while lowering the backrest of the chair by 90°) ensures proper blood circulation of the patient.



The high-precision joystick provides easy and effective hands-free control of the chair.

9002 White	300 40 20 Lilac	3012 Peach	5003* Dark blue
5011 Steel blue	6001 Taupe	7502 Anthracite	4009* Mauve
3493 Acqua marine green	3016 Coral red	6033 Mint green	8017 UM33** Suede brown
1300T Zinc yellow	1011 Light gray	3491 Periwinkle blue	7021** Black grey satin
1414 Red	5515 Apple green	1604T Burgundy	15141*** Sparkle blue
3494 Silk gray	5023 Pastel blue	1007 Black	14966*** Sparkle green
1009 D Electric blue	5510 Purple		21366*** Platinum

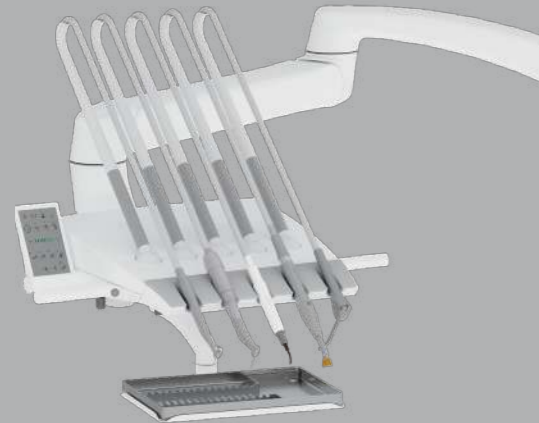


## DENTIST'S CONSOLE

### Ergonomics is crafted from experience

GALIT Omnipratique dentist's console:

- Light and ergonomic design.
- Five instruments individually selected and arranged in the usual order for the dentist's convenience.
- Lower or upper delivery of instruments.
- Control of all instrument functions and patient chair settings.
- Secure positioning in the desired place with the assistance of a pneumatic brake.



Dentist's console of a new design with upper delivery of the instruments



Dentist's console of a new design with lower delivery of the instruments



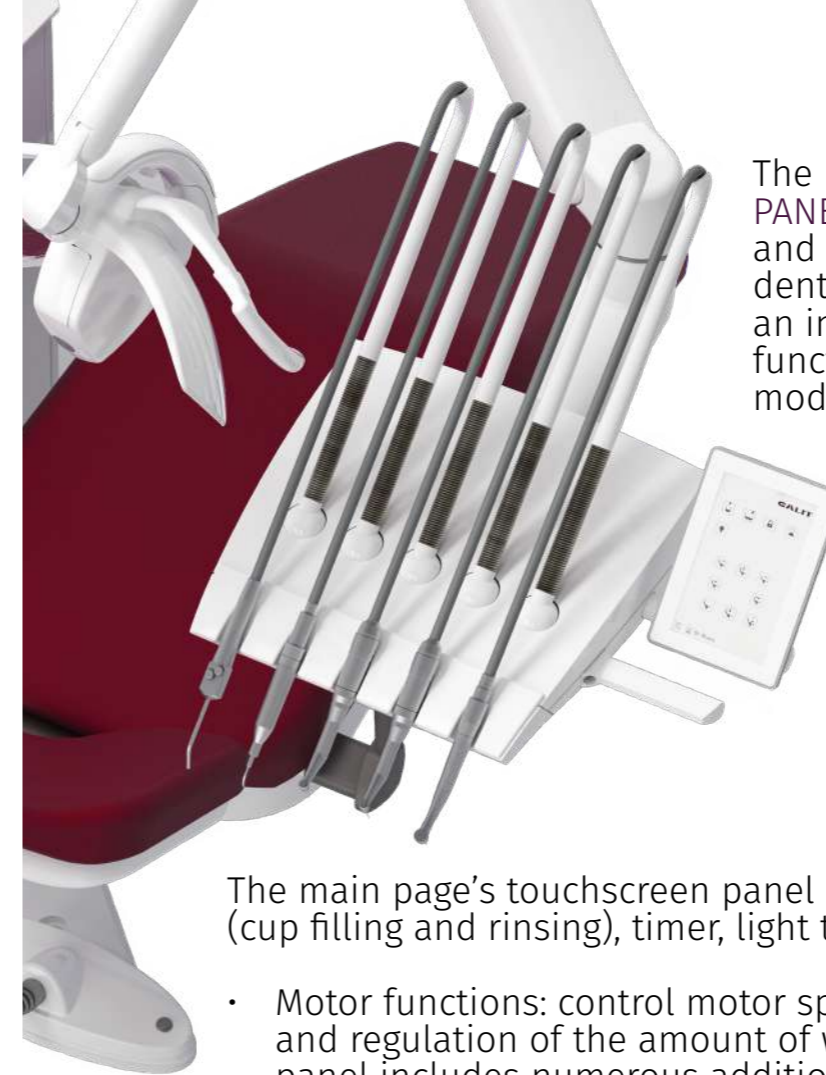
Dentist's console with upper delivery of the instruments

You can be confident in the safety of your instruments. Soft springs ensure ease of use, preventing strain on the dentist's hand.



Dentist's console with lower delivery of the instruments

Effortlessly control the positioning and inclination of your instruments.



The INNOVATIVE TOUCHSCREEN CONTROL PANEL introduces a new, convenient and reliable way to interact with the dental unit. With simplified navigation, an intuitive interface, and expanded functionality, the touch panel is ideal for modern dentistry.

Experience has shown that touchscreen panels significantly enhance dentist's productivity and streamline their instrument handling. They facilitate easy control over all necessary functions by providing real-time updates on the display and enabling instant reactions.

The main page's touchscreen panel includes chair and water unit control (cup filling and rinsing), timer, light toggling, and screen lock.

- Motor functions: control motor speed, torque, tip ratio, reverse function, and regulation of the amount of water in the spray. The touchscreen panel includes numerous additional motor functions for surgical, implantological, and endodontic procedures (e.g., Wave One Gold from Reciproc)
- Turbine Function: adjust the amount of water in the spray.
- Scaler Functions: control scaler power and regulate the amount of water in the spray.

The optimal weight of the instruments and the flexibility of the hoses guarantee your comfort during work. They reduce strain on the dentist's wrist and minimize fatigue, even during prolonged treatment procedures.



## ASSISTANT'S CONSOLE

# Simplicity and reliability

The GALIT OMNIPRATIQUE assistant's console facilitates effective interaction between the dentist and the assistant, a crucial factor for quality treatment.

Key advantages include:

- Adjustment of the inclination angle of instrument holders.
- Smooth movement of the console.
- Security STOP under the assistant's console.



2 instruments



3 instruments



4 instruments



5 instruments



## FARO LAMP

Advantages of FARO lamp:

- FARO's patented optical system ensures a clear light spot without blinding the patient.
- Removable handles that are autoclavable.
- Convenient positioning of the lamp with 2D or 3D rotation.
- Compatibility with video recording systems and diagnostic instruments.



## EVA LED

Select the ideal colour temperature for your dental practice, including 5700K, 5000K, 4000K, and 2700K, with a Composite function. The light flux strength ranges from 3 000 to 50 000 LUX at a distance of 700 mm. The light field is elliptical in shape, measuring 190 x 100 mm.



## B75. Surgical Mode:

The light field is circular with a diameter of 250 mm. Light flux strength ranges up to 110 000 LUX at a distance of 1 meter and up to 160 000 LUX at a distance of 800 mm. Temperature modes include 5000K and 2700K, with a Composite function.

## MAIA LED

Each reflector consists of 258 small reflective faces, ensuring a uniformly illuminated field in the shape of an ellipse measuring 170 x 95 mm. The light temperature is 5000K, with light flux strength ranging from 3 000 to 45 000 LUX at a distance of 700 mm.



## B75 LED

A lamp that integrates both surgical and dental functionalities into a single device.

## B75. Dental mode:

The light field is elliptical, measuring 200 x 100 mm. At a distance of 700 mm, the light flux strength ranges from 3,000 to 50,000 LUX. It offers four temperature modes: 5700K, 5000K, 4000K, and 2700K, along with the Composite function.

## THE TRUSTED HYGIENE SYSTEM

# Aesthetics and functionality

The GALIT OMNIPRATIQUE water unit is made of high-quality polyurethane. It features streamlined shapes and a smooth surface for easy disinfection.

Its design facilitates quick and simple servicing, requiring only the removal of the latch-attached cover.

Beyond its functional benefits, the water unit serves an aesthetic purpose within the dental unit. With its elegant design and complementary elements, the GALIT Omnipratique enhances the overall ambience of any dental practice, becoming a focal point of aesthetic appeal.



Hanging water unit



Stationary water unit

## DISTILLED WATER SYSTEM

A 2-litre bottle with a bayonet connection that provides convenient and quick filling with water.

For prolonged dental unit operation, utilising water with a conductivity not exceeding 80  $\mu\text{S}$  is advisable.



## CERAMIC CUSPIDOR

Ceramic cuspidor bowl with an integrated 180° rotation mechanism, offering both convenience for the assistant and unparalleled comfort for the patient during treatment procedures.



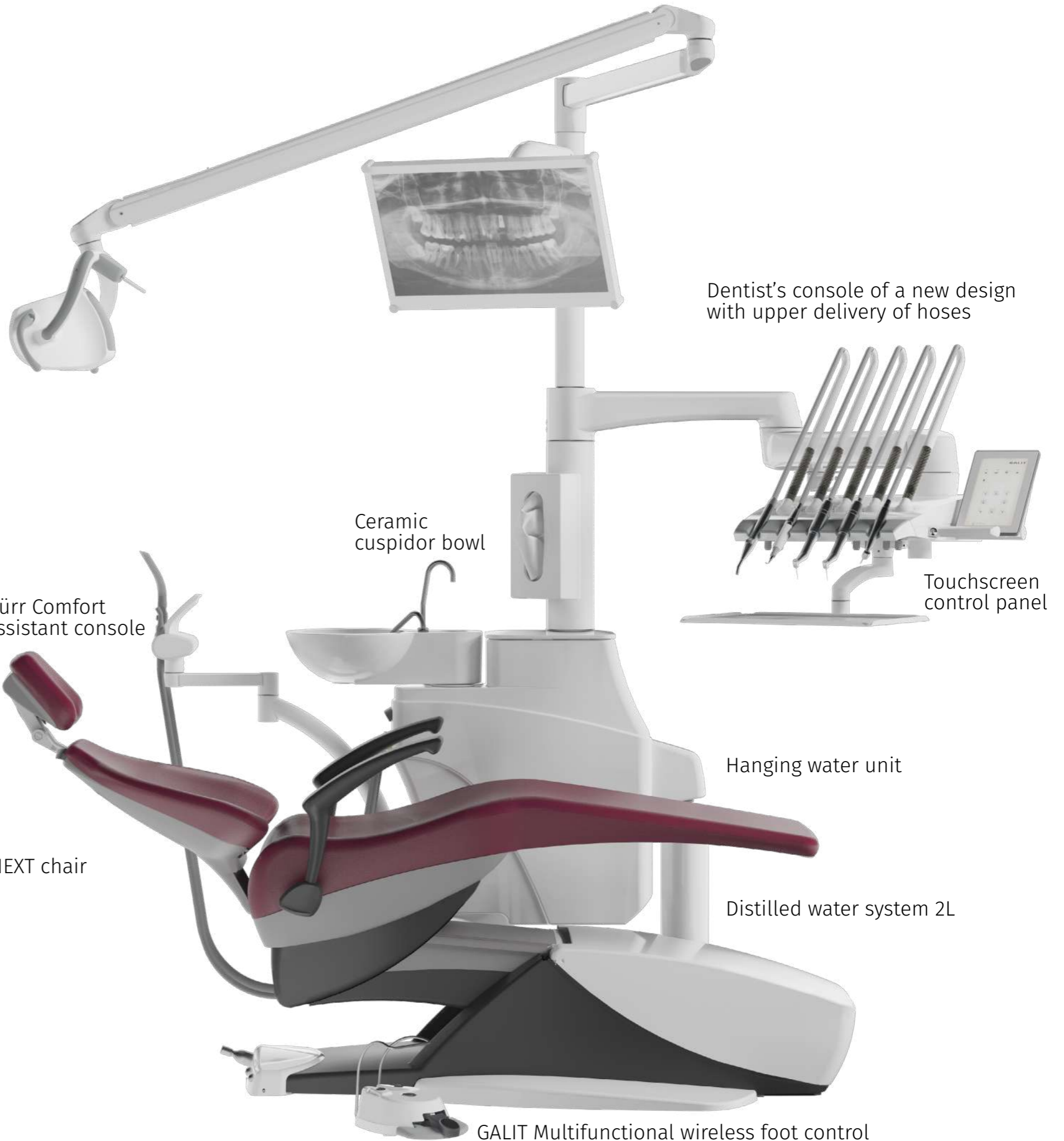
The cuspidor is outfitted with rinsing and cup-filling systems, controllable via the doctor and assistant's panels. This integration enhances comfort and efficiency, fostering seamless cooperation among medical personnel.

YOUR SMILE





MAIA dental lamp



Dentist's console of a new design with upper delivery of hoses

Ceramic cuspidor bowl

Touchscreen control panel

Dürr Comfort assistant console

Hanging water unit

Distilled water system 2L

GALIT Multifunctional wireless foot control



ECO NEXT chair

STANDARD VERSION	<b>HANGING WATER UNIT:</b>
	The ceramic cuspidor bowl is of rotary type with an electronic control for rinsing and cup filling
	Distilled water system with a 2-litre capacity
	<b>DENTIST'S CONSOLE</b> with upper or lower delivery of hoses on a pantograph arm with a pneumatic brake, including:
	Negatoscope with LED lighting
	Chair and unit control panel with power adjustment of all dynamic instruments and Endo function
	<b>STING PATIENT CHAIR (Tecnodent), basic version, including</b>
	Fully electromechanical lifting and movement of the backrest
	Program for setting to «0» position
	Program for spitting position
	Foot control panel on the base of the chair
	Emergency stop on the base
	Emergency stop on the backrest
UNI headrest with double articulation	
Wide backrest of the chair	

ADDITIONAL OPTIONS	<b>FOR DENTIST'S CONSOLE:</b>
	Dentist's console of new design
	Touch control panel
	Pneumatic line without lighting
	Pneumatic line with lighting
	Bien Air OPTIMA MX2 int Micromotor (40 programs)
	Second Micromotor for Bien Air OPTIMA MX2
	Bien Air MX2 LED Micromotor
	Second Bien Air MX2 LED Micromotor
	Bien Air MCX LED Micromotor (1000-40000 rpm)
	Second Bien Air MCX LED Micromotor (1000-40000 rpm)
	Satelec Xinetec Scaler
	Newtron Piezoelectric scaler F55235 LED
	Satelec Curing lamp MiniLED
	DCI 3-way syringe
	Luzzani Dental MINIMATE 3-way syringe
	DCI Pneumatic foot control
	FARO Multifunctional foot control
	Large tray with silicone mat for upper/lower delivery of hoses
	Diathermocoagulator
	Preparation for installing the micromotor (without micromotor hose)
	Preparation for scaler
	Water heater for the instruments of the dentist's console
	Satelec Peristaltic pump

ADDITIONAL OPTIONS	<b>FOR WATER UNIT:</b>
	Stationary water unit
	DCI 3-way syringe
	MINIMATE 3-way syringe
	MiniLED Satelec Curing lamp
	Diathermocoagulator
	Saliva suction ejector air
	Assistant's console with control panel, saliva ejector and DÜRR COMFORT dust extractor with filter
	Assistant's console with the control panel on the FARO arm with vertical movement, DÜRR COMFORT saliva ejector and dust extractor with filter
	CATTANI Separator
	CATTANI separator with a DÜRR DENTAL selection valve
	DÜRR DENTAL Selection valve
	DÜRR DENTAL Cuspidor valve
	Monitor attachment rotary arm (without monitor cables)
	FARO MAIA LED LAMP
	FARO EVA LED LAMP
	A metal floor plate for fixing the unit and chair
	<b>FOR DENTAL CHAIR:</b>
	Replacing STING chair with ECO NEXT chair
	Replacing STING chair with 2009 NEXT chair
	Left / right rotatable removable armrest
	Magnetic pillow for flat headrest
	UNI headrest with double articulation (for ECO NEXT chair)
	Trendelenburg function (Lifting the legs by 15° when the backrest of the chair is tilted by 90°)
	Additional three programs for the chair
	Replacing the seat upholstery with SOFT FOAM
	Narrow chair backrest (only for ECO NEXT chair)
	Mat for seat protection
<b>UNIT CONNECTION OPTIONS:</b>	
Distribution box (external supply)	
<b>FOR SAFETY AND COMFORT:</b>	
Central air shut-off valve (provides closing of the air supply network when power supply of the unit is turned off)	
Central water shut-off valve (provides closing of the water supply network when power supply of the unit is turned off)	
CF1 soda separator for CS1 of Dürr Dental (provides a collection of soda after the hygiene procedure and prevents the deposition of soda in pipelines)	
Dürr Dental Vario rinsing device (provides a periodic supply of water to the separator to prevent pollution)	



## FOOT CONTROL

# Mastery in details

The GALIT range offers foot controls with various functionalities, allowing you to select the option that best meets your dental practice's needs.



### WIRELESS MULTIFUNCTION FOOT CONTROL:

The advanced multifunction foot control features wireless Bluetooth communication and a high-current, large-capacity battery, ensuring an extended service life of up to 6 months. Additionally, it includes a low-battery sound alert function. The package also contains a cable for quick connection to the dental unit, ensuring seamless operation under any circumstances.



### MULTIFUNCTION FOOT CONTROL:

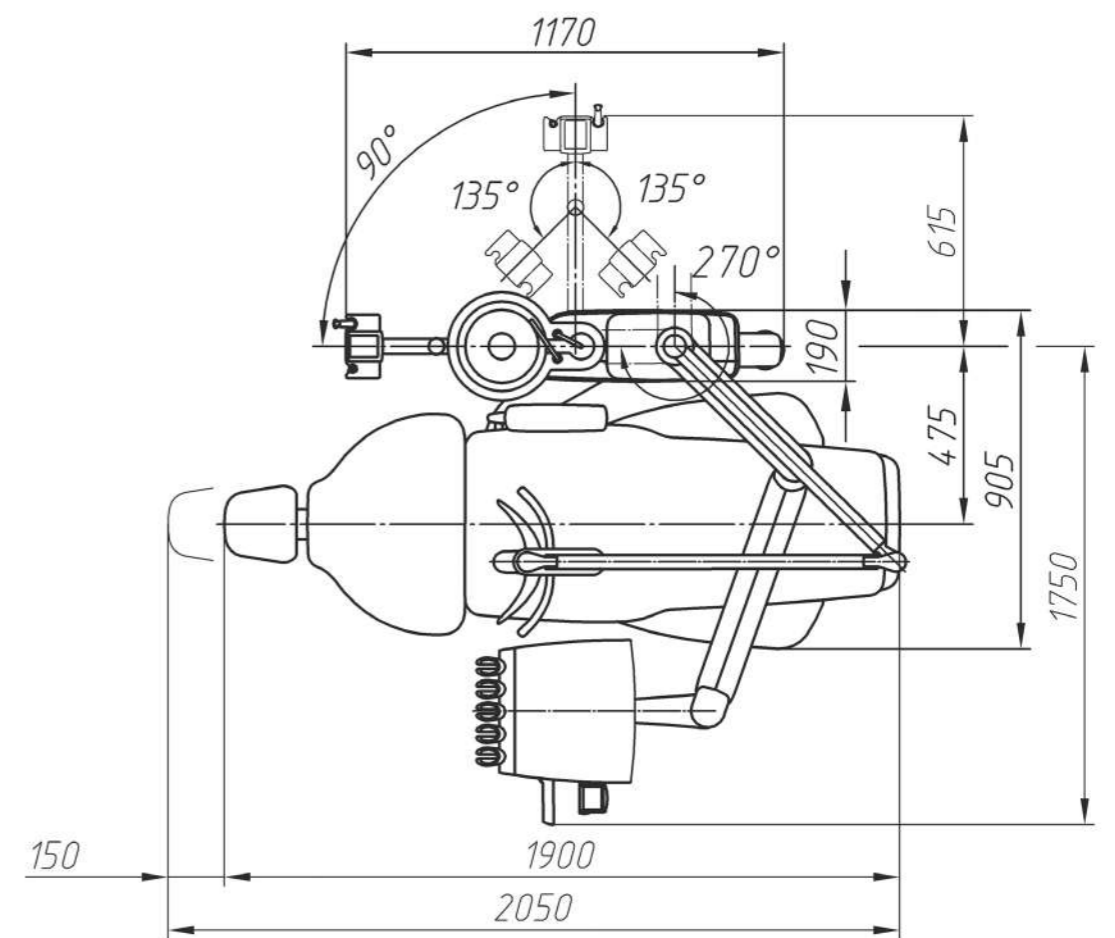
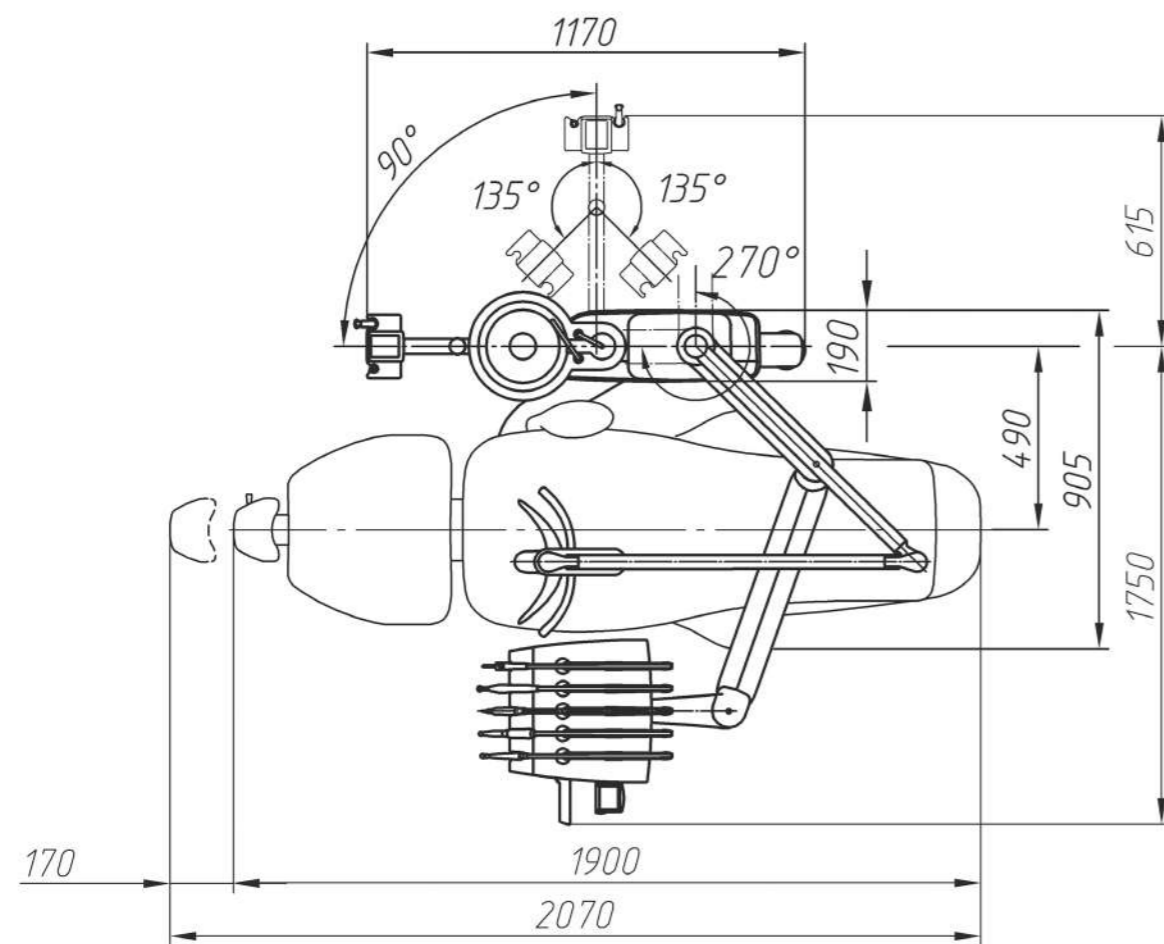
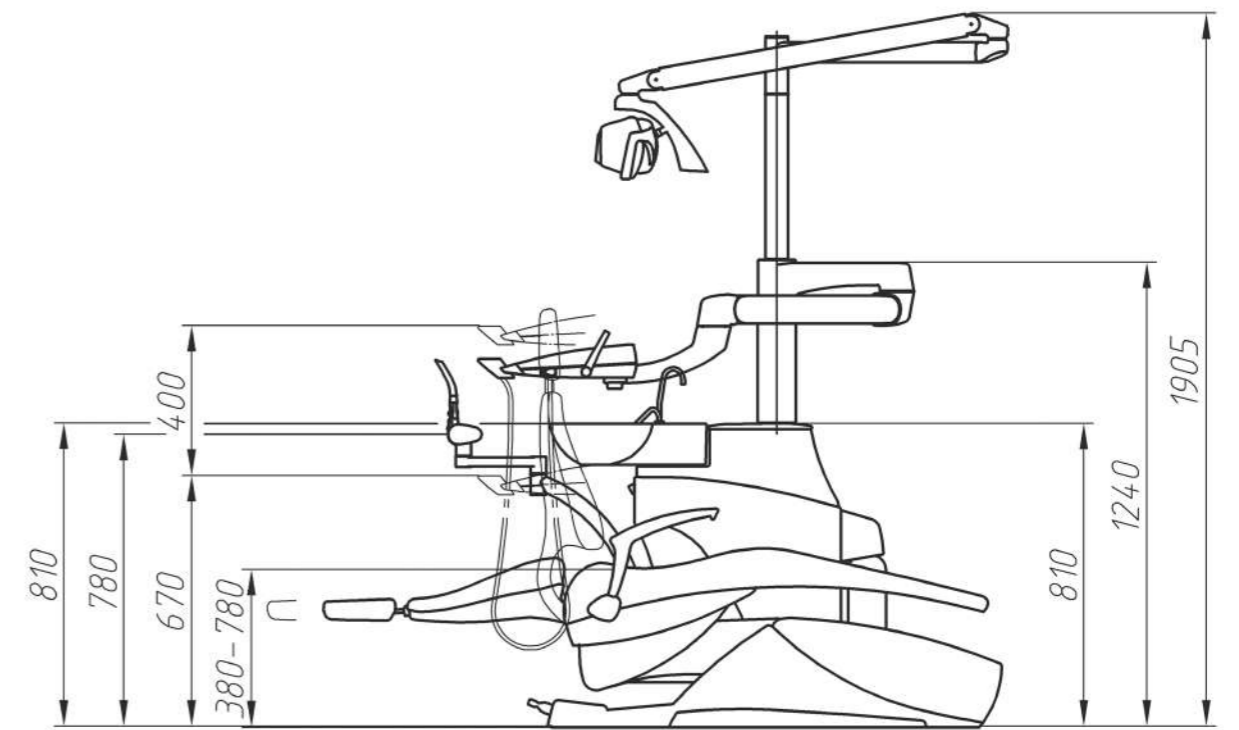
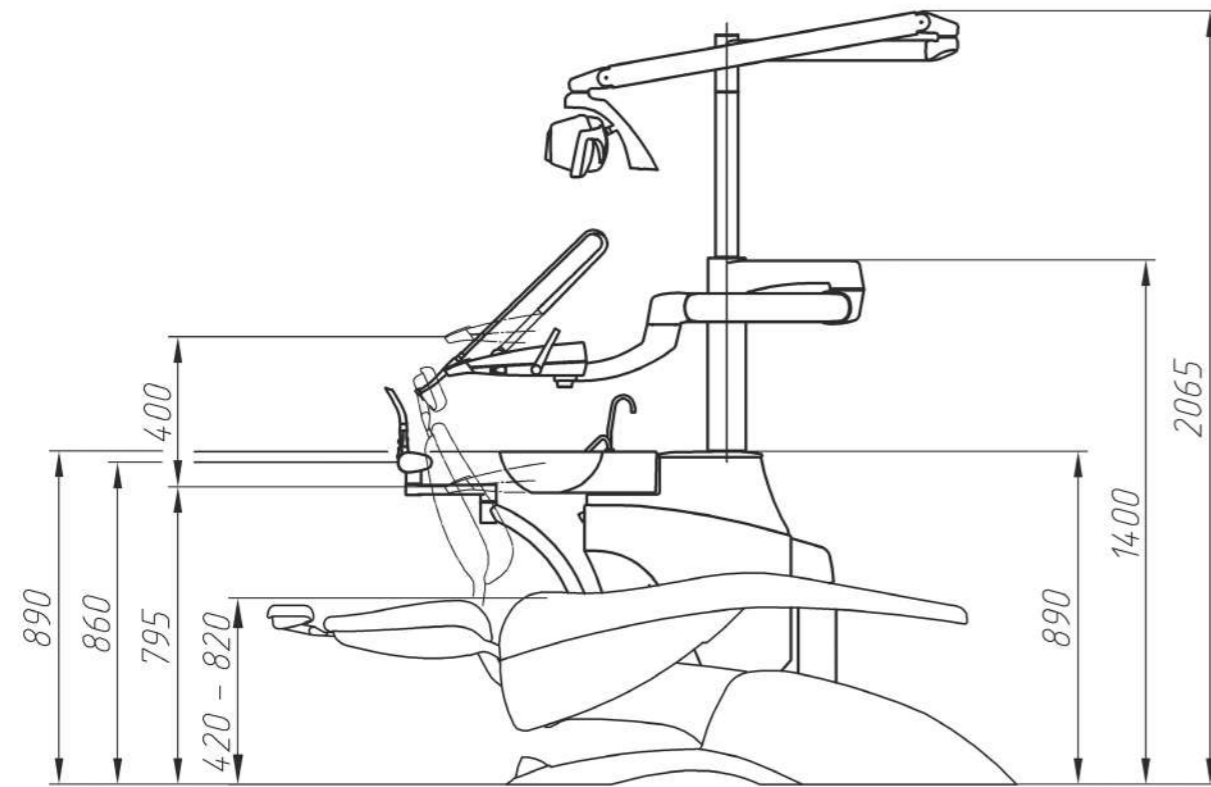
- Switching on/off dental instruments.
- Activating/deactivating spray and chip-blowing for dental instruments.
- Adjusting the speed/power of dental instruments.



### PNEUMATIC FOOT CONTROL:

- Switching on/off dental instruments.

## OVERALL DIMENSIONS OF THE DENTAL UNIT



Overall dimensions of the GALIT OMNIPRATIQUE dental unit with upper instrument hoses, hanging water unit and STING patient chair.

Overall dimensions of the GALIT OMNIPRATIQUE dental unit with the lower delivery of hoses, a hanging water unit and the ECO NEXT patient chair.

**SERVICE KIT FOR MAINTAINING GALIT OMNIPRATIQUE DENTAL UNIT**  
**ITEM NUMBER: 4.070.002**



Cover the yellow filter with seals (red rings).  
Replacement frequency: once every 3 months.

**Item number: 0725-041-05**



Replaceable cartridge (yellow) for the dust-saliva ejector filter.  
Replacement frequency: once every 3 months.

**Item number: 0725-041-60**



Return valve.  
Replacement frequency: once per year.

**Item number: 0700-700-14E**



Dust extractor hose.  
Replacement frequency: once per year.

**Item number: 006.438.005-01**



Saliva ejector hose.  
Replacement frequency: once per year.

**Item number: 006.438.004-01**



Return air filter. Foam rubber κ25 Ø35x20.  
Frequency of replacement:  
Replacement frequency: once every 3 months.

**Item number: 008.260.000**

Service Kit - Your confidence in the uninterrupted operation of the equipment.



Cuspidor screen with a grey lid.  
Replacement frequency: once per year.

**Item number: vc-353-02b**



Distilled water system bottle filter.  
Replacement frequency: once per year.

**Item number: 005.886.010**



O-RING of distilled water system isc o-ring  
20x24x2,5 88 nbr 156 (green).  
Replacement frequency: once per year.

**Item number: 94.3771.020-024-2,5**



Filter (replaceable cartridge of water/air pressure regulator).  
Replacement frequency: once per year.

**Item number: C 104-F20/3**



O-ring of distilled water system.  
Replacement frequency: once per year.

**Item number: AC-543-06**



O-ring o 20mm (set of 5 pcs).  
Replacement frequency: once per year.

**Item number: 9000-402-54E**

## QUALITY MANAGEMENT SYSTEM

# Quality management system

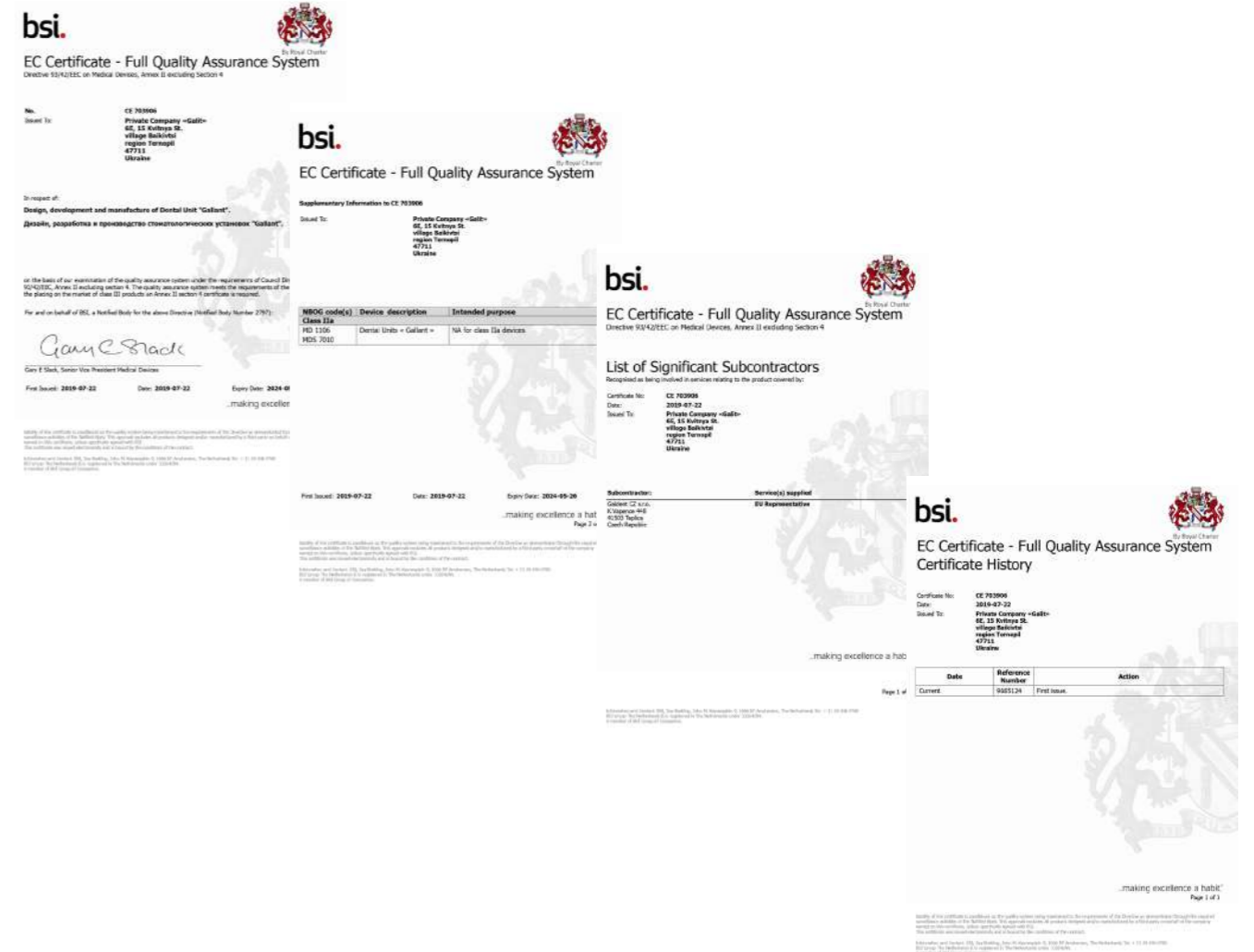
## CERTIFICATE OF COMPLIANCE WITH THE REQUIREMENTS OF THE TECHNICAL REGULATION FOR MEDICAL PRODUCTS



To introduce its products to the Ukrainian market, GALIT is certified by the conformity assessment body TOV UkrMedCert UA.TR.099

## CE CERTIFICATE

GALIT medical products successfully underwent the certification process to ensure compliance with the requirements of the international standard Directive 93/42/EEC on Medical Devices. As a result, GALIT was awarded the CE 703906 certificate, which encompasses the design, development, and production of GALIT dental units.



## ISO CERTIFICATE

In 2008, GALIT's Quality Management System (QMS) was initially certified for compliance with international standards ISO 13485. This certification encompasses the design, development, production, installation, service, and sale of dental equipment. Thus, GALIT was awarded the certificate MD 574675.

The implementation and support of our Quality Management System (QMS) at GALIT ensures the exceptional quality of all our products. When you invest in medical equipment from GALIT, you can trust in its long-term reliability and the excellence of our service. This will save you time and money in the future.

To confirm the validity of existing GALIT certificates, the international notified body BSI (2797) (Great Britain) conducts continuous monitoring of the effectiveness of the GALIT QMS and surveillance of medical devices.

Medical device certification ensures production compliance with safety requirements and protects consumers from low-quality products.

# Amazing quality. Innovation that inspires



From project conception to implementation, the GALIT team meticulously oversees every stage of the work. When ordering non-standard unit options, the initial step in implementation is a technical design solution, ensuring customers receive a product with a quality guarantee directly from the manufacturer.



The production area of GALIT is 5 000 square meters. The availability of modern production facilities ensure maximum accuracy and quality of products, as well as short order fulfilment times.

With a professional design department, modern equipment, and a team of top production specialists, GALIT collaborates with over 30 renowned brands of dental equipment to create expert solutions that exceed the expectations of even the most demanding customers.

We prioritize the longevity of our dental units because we value the enduring relationships with our customers!

## EXPERTS IN DENTISTRY!



# **GALIT**

## Manufacturer

PC Galit  
6E, 15 Kvitnya Str., Baikivtsi, Ternopil region,  
47711, UKRAINE

+380-800-502-998

office@galit.te.ua  
service@galit.te.ua

## European representative

Galdent CZ s.r.o.  
K.Vapence 448, 41503 Teplice, Czech Republic

+420-775-471-378

export@galit.te.ua  
galdentcz@gmail.com



Version: 20240104

The technical specification or appearance of the equipment is subject to change without prior approval