

**GALIT**

Dental Unit

**GALLANT AMBIDEXTRE**

---





**“GALLANT AMBIDEXTRE – your point of flexibility in dental practice. Usage both by left and right handed dentists.**

For more than 20 years, our vector at GALIT has remained the same – to supply the best dental equipment and innovative solutions to professional dentists not only in Ukraine but all over the world.

Our focus on exemplary service forms a loyal long-term relationship with our customers. More than 5,000 dentists have already been convinced of quality and reliability of our equipment. All this is possible due to careful monitoring of the requirements of our customers, as well as principles that are fundamental to GALIT.

In our work we are constantly guided by the following values:

- quality – we work to the highest quality standards in everything we produce;
- trust – respect, honesty and sincerity guide our actions to do the right thing;
- concern – our customers inspire us to act faithfully and passionately;
- innovation – we optimize the latest technology to achieve mastery in dentistry;
- partnership – we work with professional dentists and our partners to win TOGETHER;
- commitment – we work diligently and efficiently to provide exceptional results with the best customer service.

**GALIT – Making dentistry happen**



Practical and universal  
**GALLANT AMBIDEXTRE** – an optimal  
solution for clinics where one dental  
unit can be used by a right-handed  
and left-handed dentist

Key benefits of Gallant Ambidextre:

- a unique rotation mechanism allows you to change location of the doctor console and assistant console from right to left in just a few seconds;
- components of leading European manufacturers with warranty service;
- exquisite Italian design;
- optimal use of workspace;
- ability to choose mounting of the lamp and the doctor console on ceiling or chair;
- even more space to communicate with your patients;
- a wide range of configurations for exceptional comfort during treatment.

Take advantage of optimal ergonomics with Gallant Ambidextre!



**GALLANT AMBIDEXTRE –  
for maximum patient comfort**

## Convenient positioning of patient with STING chair

### Options:

- left rotary, removable armrest;
- right rotary, removable armrest;
- Trendelenburg function (synchronous raising of the legs by 15° when lowering the backrest of the chair by 90°);
- three additional programs for the chair;
- replacement of the chair upholstery by Soft Foam;
- special mat to protect the seat against any damages.



Upholstery Soft Foam



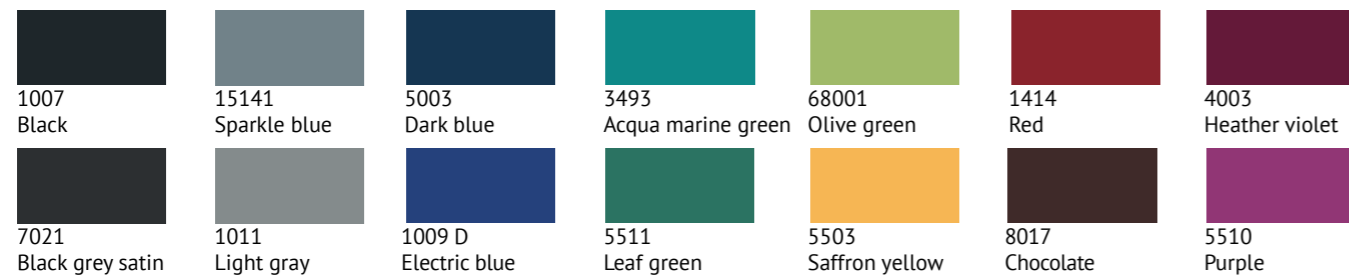
The chair can be equipped with a left and / or right armrest



Trendelenburg function (possibility of synchronous raising of legs by 15° when lowering the backrest of the chair by 90°)



Joystick to control the chair.



## Patient chair 2009 Next

### Options:

- possibility to equip the chair with rotating armrests to ensure easy accessibility and natural comfortable support for patient arms during the treatment (OPTION);
- joystick on the base for quick, intuitive and hygienic chair movements hands free control;
- left side drilling for unit or lamp connection;
- children seat cushion available on request.



Elle Bianco



Elle E C95 Bianco



Elle E C2002 Bianco



Light Bianco



Uni Bianco



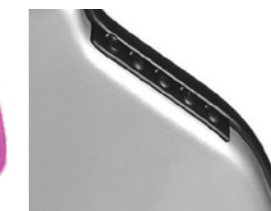
Right / left armrests (OPTION), provide comfortable support during treatment.



Rotation (OPTION). Rotation of a seat of the chair around a vertical axis is easily carried out by means of a lever under the seat.



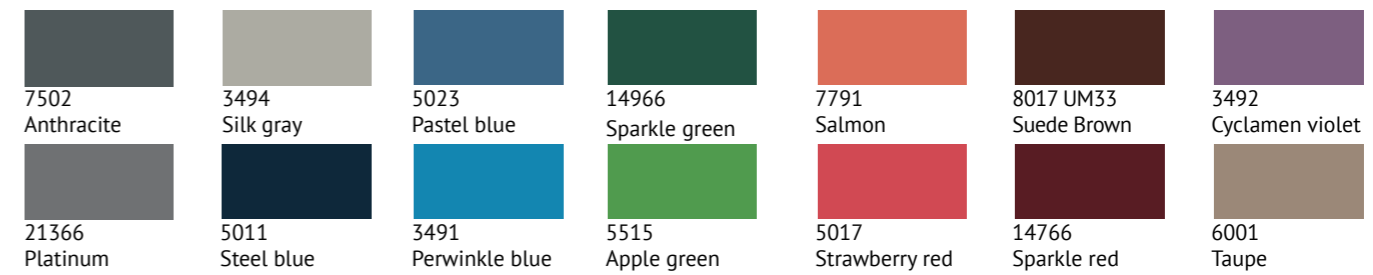
A narrow backrest designed to allow the doctor to get as close as possible to the patient during treatment.



Right or left backrest control buttons (OPTION). They help doctor and / or assistant to position the patient more easily.



A large anatomical backrest (OPTION). Guarantees maximum comfort, wrapping the patient's back in a pleasant relaxation.



Updated ergonomic patient  
chair design 2009 Next





Even more space for interaction  
with patient

### Dentist console of your GALLANT AMBIDEXTRE

A unique rotation mechanism allows you to change location of the dentist console and assistant console from right to left in just a few seconds.

Dentist console of a new design with upper or lower delivery of hoses, on a maximum of 5 instruments.

### Possible versions of the dentist console attachment:

- on chair;
- on ceiling.



Dentist console with upper delivery of instruments provides:

- individually selected 5 instruments;
- light construction;
- fixation in the right place by means of pneumatic brake;
- control panels for instruments and patient chair.



Dentist console with lower delivery of instruments provides:

- individually selected 5 instruments;
- light construction;
- control panels for instruments and patient chair;
- adjustment of instrument inclination angle;
- convenient adjustment of water amount to cool instruments.



Effective interaction between dentist and assistant is a key factor in quality treatment

**Assistant console of your GALLANT AMBIDEXTRE:**

The assistant can control a wide range of control panel functions. This will allow the dentist to fully focus on medical procedures with the patient.

The assistant console on a rotary arm with independent channels of saliva ejector and dust extractor with the ability to move to the right and left side of the chair.

Horizontal and vertical movement of the assistant console allows you to place the instruments in a convenient position.



2 instruments



3 instruments



**Effective teamwork with GALLANT  
AMBIDEXTRE**

### **Spittoon unit**

Ceramic spittoon on a rotary arm for moving to the right and left side of the chair with rinsing and cup filling.

### **Ceramic spittoon is resistant to disinfection**

It provides ergonomic and comfortable access to the assistant and optimal comfort for the patient.



### **Distilled Water System**

Bottle of clean water system, volume 2 liters. Design of the bottle minimizes risk of cross-contamination. A bayonet connection allows you to fill the bottle more quickly.





Dental lamp  
MAIA

Dentist console with upper delivery of hoses on pantograph arm with pneumatic brake, includes:

- negatoscope;
- control panel to control c
- hair and dental unit with adjustment of power of all dynamic instruments and ENDO function;
- maximum for five instruments.

Ceramic spittoon bowl of rotary type with flushing and electronic control of cup filling

Assistant console for 2 instruments

Multifunctional wired foot control

**GALLANT AMBIDEXTRE** — your point of flexibility in dental practice. Usage both by left and right handed dentists.

# Options

## Dentist console instruments:

Replacement of dentist console with standart design dentist

Pneumatic line without lighting

Pneumatic line with lighting

MC 2 micromotor

Second MC2 micromotor

OPTIMA MX2 int (40 programs) micromotor

Second OPTIMA MX2 micromotor

MX2 LED micromotor

Second MX2 LED micromotor

MCX (1000-40.000 rpm ) micromotor

Second MCX (1000-40.000 rpm ) micromotor

MCX LED (1000-40.000 rpm ) micromotor

Second MCX LED (1000-40.000 rpm ) micromotor

Xinetic scaler without light with 3 tips

FS-433 E-1 Piezon built-in kit (EMS)

FS-367 Kit Piezon LED No Pain (EMS)

Newtron F55235 Scaler with LED with 3 tips

Mini LED curing lamp for incorporation

DCI 3 way syringe

MINILIGHT 3 way syringe

MINILIGHT 6 way syringe

MINIBRIGHT LED 6 way syringe

## Additional options for dentist console:

Big table with silicone mat (for upper hoses delivery)

Small table with silicone mat (for upper hoses delivery)

Big table with silicone mat (for lower hoses delivery)

Heater for water for dental instruments

Flushing function for hoses of doctor instruments with electronical spray regulation

## Foot control options:

Pneumatic foot control

Multifunctional foot control FARO

Multifunctional foot control FARO wireless

## Separation system options:

CAS1 separator Dürr Dental

CS1 separator Dürr Dental

Cuspidor valve Dürr Dental

## Assistant console options:

DCI 3 way syringe

MINIMATE 3 way syringe

Mini LED curing lamp for incorporation

## Dental light options:

FARO MAIA (325010300) dental LED light ceiling version (KT300810)

FARO ALYA (511000000) dental LED light ceiling version (KT300810)

## Options for cuspidor unit:

Monitor attachment rotary arm

Napkin holder

Water heater for cuspidor cup filler

On-floor plate for attachment of dental unit and chair

## For safety and comfort:

Central valve of air shutdown

Central valve of water shutdown

## Service lines:

Distribution box (external supply)

## Otions for Patient Chair:

Replacement of chair 2009 NEXT by chair Sting

## Options for STING:

Left rotary detachable armrest

Right rotary detachable armrest

Trendelenburg Function (simultaneous lifting of legs by 15 degrees while lowering chair backrest by 90 degrees)

Additional three programs for chair

Replacing the armchair upholstery on SOFT FORM

Seat matt

## Options for 2009NEXT:

Left rotary detachable armrest

Right rotary detachable armres

Magnetic pillow type «C95»

Additional three programs for chair

Replacing the armchair upholstery on SOFT FORM

Seat matt



## Lamps

EVA LED



MAIA LED



Special three-dimensional system of rotation

Light temperature	5000 K	5000 K
Luminous flux intensity	from 3,000 to 50 000 LUX	from 3000 to 35 000 LUX
Shadowless effect	10*6 mm ellipse	9*6 mm ellipse

Dental lamps FARO – they are:

- optimally illuminated work surface;
- patented FARO optical system;
- removable handles for sterilization;
- new electronic equipment of FARO lamps provides compatibility with video recording systems and diagnostic instruments.

## Foot controls to control instruments



Wireless multifunction foot control:

- dental instruments ON/OFF;
- ON/OFF of spray and blowing for dental instruments;
- dental instruments speed / power adjustment.



Multifunctional foot control:

- dental instruments ON/OFF;
- ON/OFF of spray and blowing for dental instruments;
- dental instruments speed/ power adjustment.

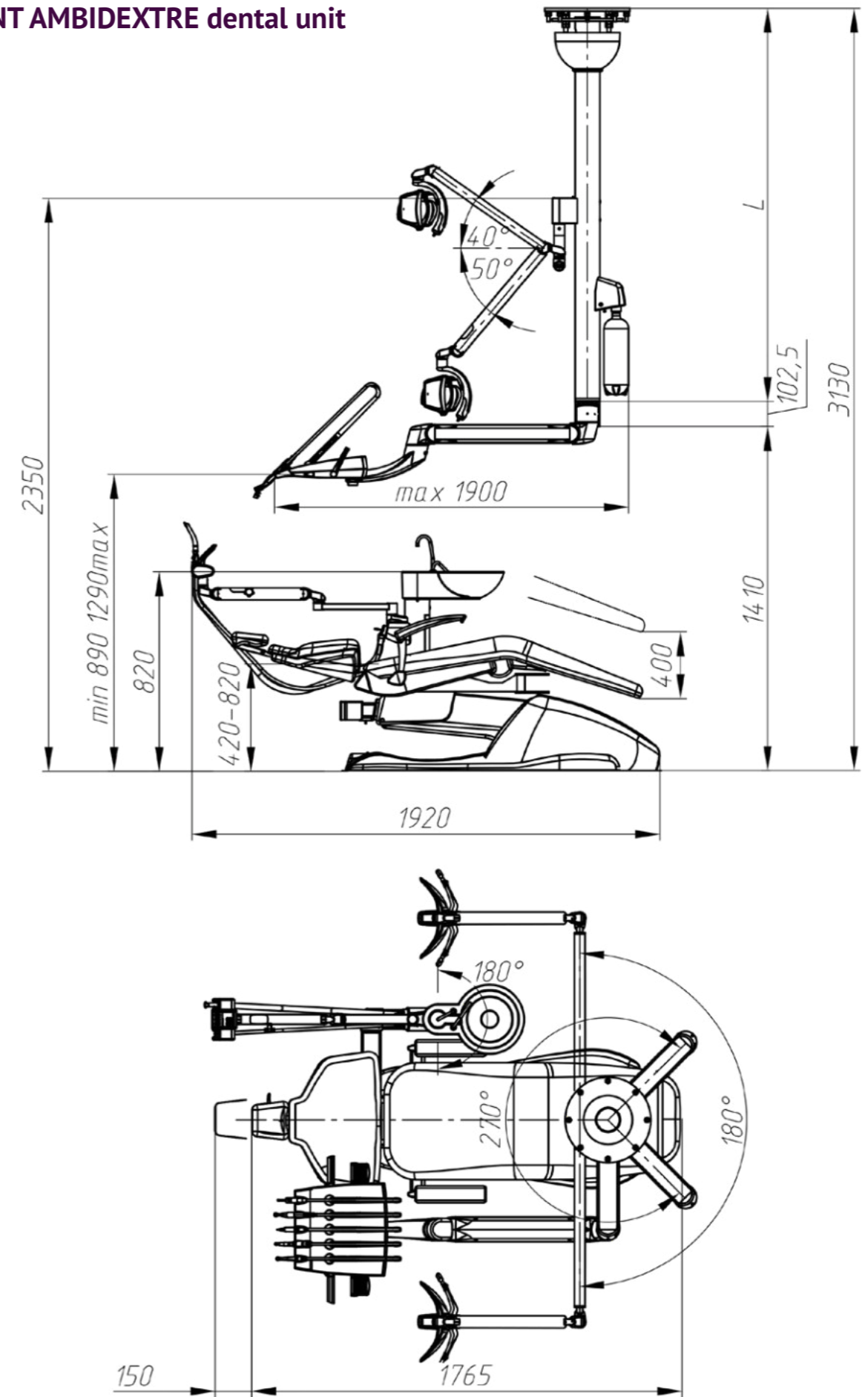


Pneumatic foot control DCI

- dental instruments ON/ OFF.

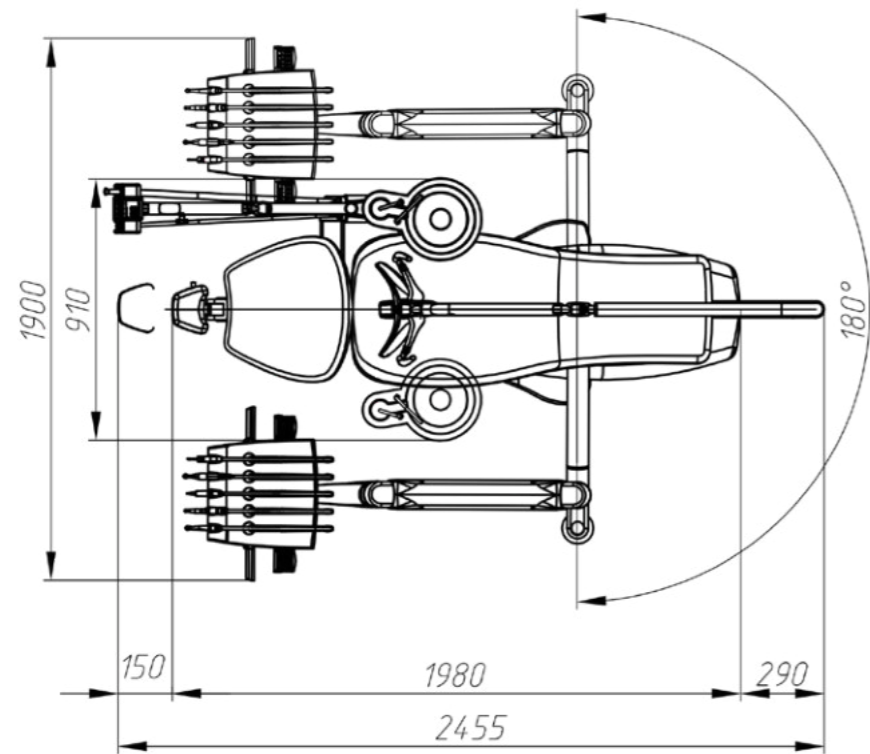
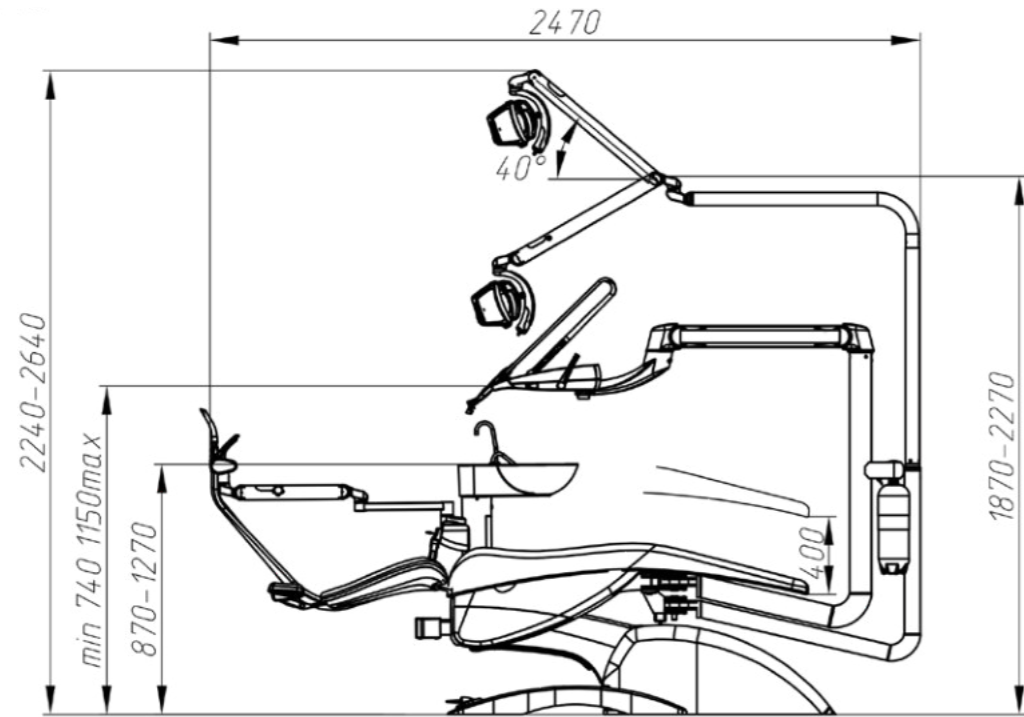


**Overall dimensions of  
GALLANT AMBIDEXTRE dental unit**

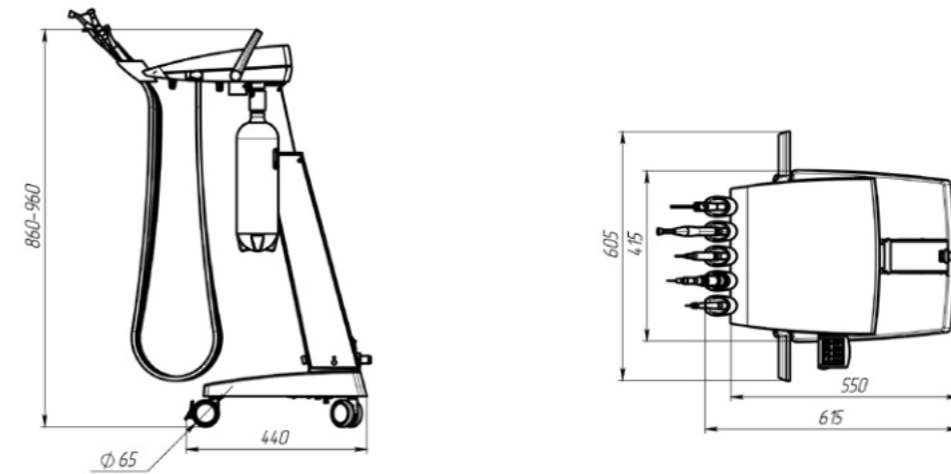
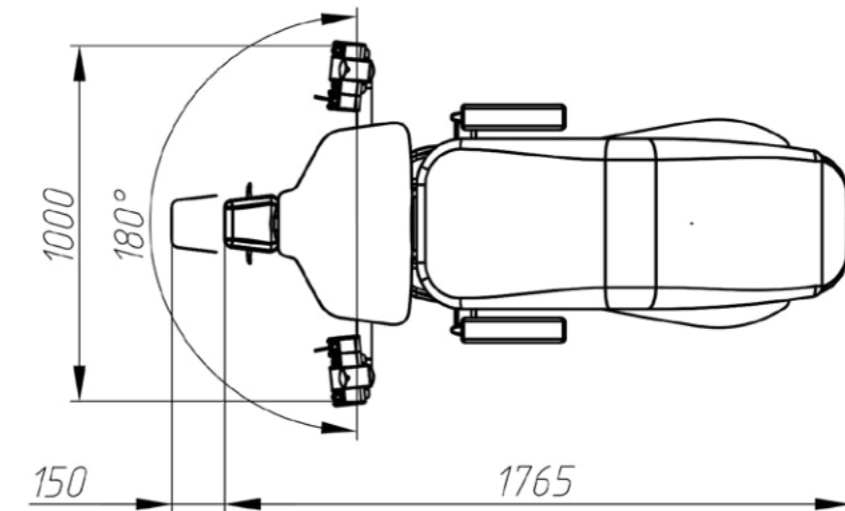
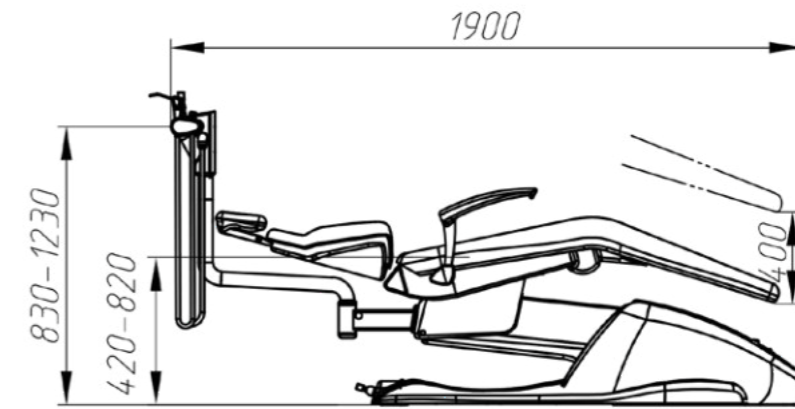


Overall dimensions of GALLANT AMBIDEXTRE dental unit: with the dentist console attachment to ceiling and with patient chair 2009 NEXT.

**Overall dimensions of GALLANT  
AMBIDEXTRE dental unit**



Overall dimensions of GALLANT AMBIDEXTRE dental unit with upper delivery of instruments and STING patient chair.



Overall dimensions of GALLANT AMBIDEXTRE dental unit:  
GALLANT CART-5 and 2009 NEXT patient chair.



**GALIT**

Manufacturer

PC «Galit»  
6E, 15 Kvitnya Str., v. Baikivtsi, Ternopil region,  
47711, UKRAINE

+380-800-502-998

office@galit.te.ua  
service@galit.te.ua

European representer

Galdent CZ s.r.o.  
K.Vapence 448, 41503 Teplice, Czech Republic

+420-775-471-378

export@galit.te.ua  
galdentcz@gmail.com

